

THERMOWELL VANSTONE TYPE

TWV

Application

Thermowells within the TWV series are machined from solid bar and mounted between mating flanges for process insertion. This design of thermowell will accept thermocouples (TC), resistance temperature detectors (RTD), as well as mechanical and digital thermometers. The dimensions of the Vanstone flange corresponds to the mating raised face diameter of the process flange. The Vanstone flange surface finish is usually machined with a phonographic spiral serration to match the mating process flange. During installation a gasket is inserted between the process flange and the Vanstone flange to maintain a pressure seal. A top flange is then placed over the Vanstone thermowell and bolted to the process flange using the correct bolting torque forces for the bolt size and material. The required lap flange is not standard and can be provided as an optional extra.



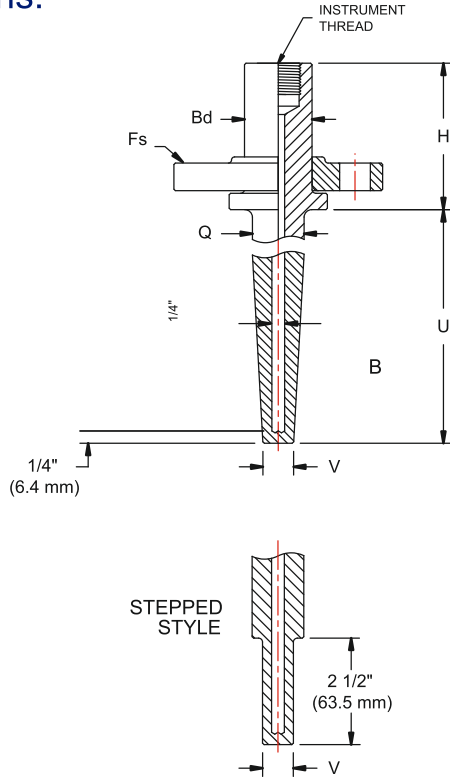
Special Features:

- ★ Chemical, process, apparatus and plant engineering; petrochemical; on/offshore
- ★ High chemical loads
- ★ High process loads

Special Features:

Thermowell Style	Tapered, Straight, or Stepped
Flange Size	ASME 1, 1-1/2, or 2 inch
Pressure Rating	Up to 2500 psig
Insertion Length	Up to 62 inch (1575 mm) for single piece construction
Bore Size	0.260 to 0.385 inch (6.6 to 9.8 mm)
Bore Depth	Up to 72 inch (1828 mm)
Electrical Approvals	CSA, FM
Options:	<ul style="list-style-type: none"> Wake frequency calculations Quality certificates Specialized polymer or metallic coating of wetted parts Product tagging Multi-piece construction for bore depths greater than 72 inch

Dimensions:



All Dimensions are in mm, Drawings are not to scale

HOW TO ORDER
BASIC MODEL

TWV

★ Thermowell style

A

- A Tapered A Straight A Stepped

★ Unit of measure:

I

- I Imperial M Metric

★ Flange size [Fs]:

A

- A ASME 1 inch C ASME 1 1/2 inch D ASME 2 inch


★ Pressure Rating:

D

- D 150 psig E 300 psig F 400 psig
- H 600 psig J 900 psig K 1500 psig L 2500 psig

Ordering Example : TWV - A - I - A - D- 3 - UD - 200mm - 02250 - F - G3 - A - 0750 - 0500 - 1A - 1 - T

Distributor



KB&T
KB& TRADERS

79/1, APS Complex, Iduvampalayam Road,
Periyandipalayam Tiruppur-641687, India
Mobile: 90477 77573, Tel : 0421 4955647
Email: sales@kbandtraders.com.
Web: www.kbandtraders.com