

**SCREWED THERMOWELL STRAIGHT SCREWED TYPE** **TWSS**

**Application**

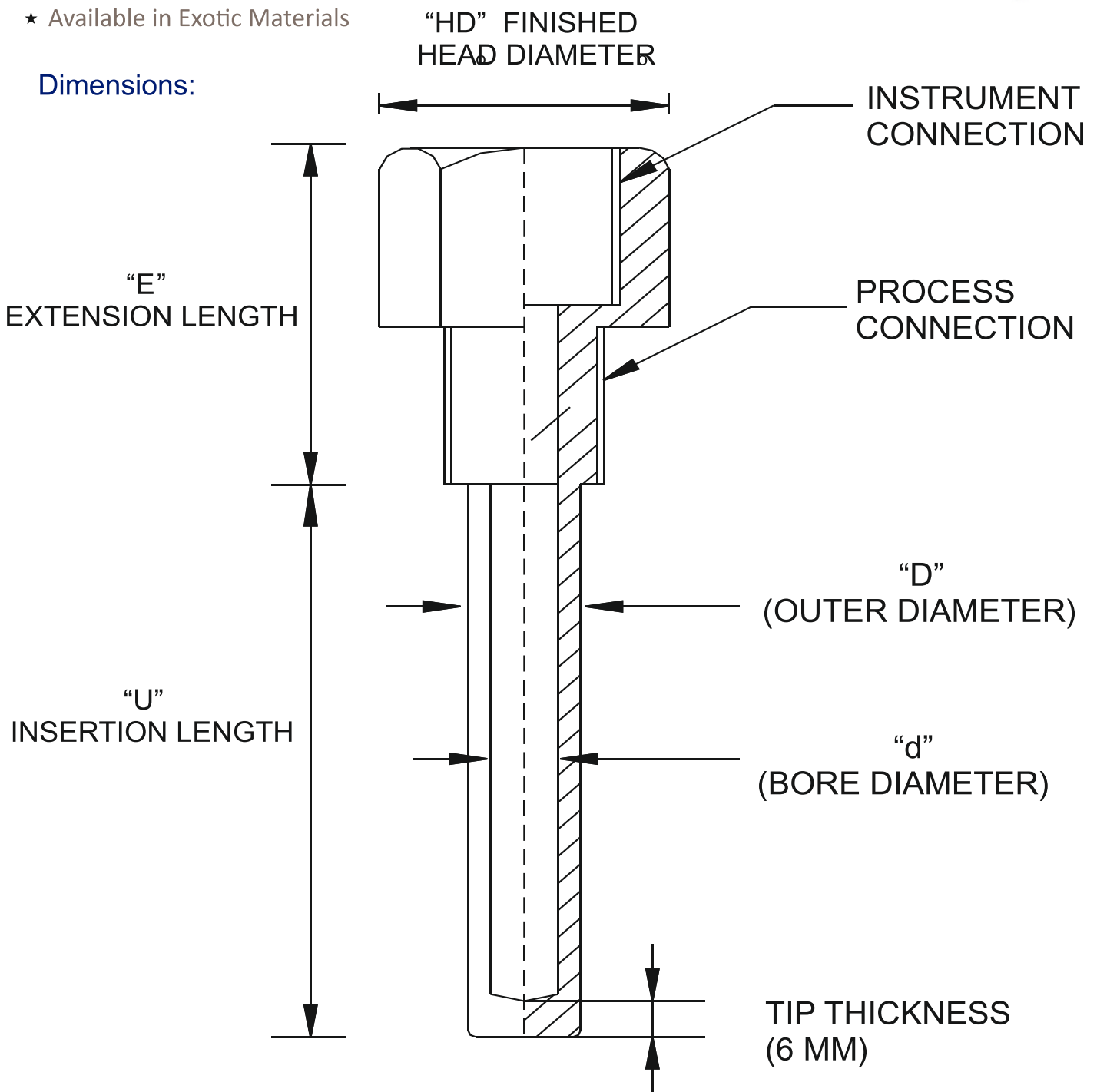
Thermowells are used as accessories with temperature instruments and temperature sensors to protect its basic sensing element from corrosive and mechanical damages due to process parameters.



**Special Features:**

- ★ Fabricated from Barstock
- ★ Standard Followed PTC 19.3
- ★ Available in Exotic Materials

**Dimensions:**



All Dimensions are in mm, Drawings are not to scale

HOW TO ORDER

Basic Model:

TWSS

CS	Carbon Steel	I6	Inconel 600
S4	AISI 304SS	HC	Hastealloy 'C'
S6	AISI 316SS	TI	Titanium
SL	AISI 316LSS	TA	Tantalum
SS	AISI 446SS	A2	Alloy 20
M4	Monel 400	I8	Incoly 800HT

S6

(Other types of mounting can be provided on request.)

06N

Instrument Connection:

03B	1/8" BSP (F)	06BT	1/4" BSPT (F)	15N	1/2" NPT (F)	M16	M 16 X 1.5 (F)
03N	1/8" NPT (F)	10B	3/8" BSP (F)	15B	1/2" BSP (F)	M20	M 20 X 1.5 (F)
06B	1/4" BSP (F)	10BT	3/8" BSPT (F)	15BT	1/2" BSPT (F)		
06N	1/4" NPT (F)	10N	3/8" NPT (F)	M12	M 12 X 1 (F)		

Process Connection:

15N

10B	3/8" BSP (M)	20B	3/4" BSP (M)	40N	1 1/2" NPT (M)	M12	M12 X 1 (M)
10N	3/8" NPT (M)	20N	3/4" NPT (M)	40B	1 1/2" BSP (M)	M16	M16 X 1.5 (M)
15B	1/2" BSP (M)	25B	1" BSP (M)	50N	2" NPT (M)	M20	M20 X 1.5 (M)
15N	1/2" NPT (M)	25N	1" NPT (M)	50B	2" BSP (M)	M25	M25 X 1.5 (M)

Note : Connections like PT/PF/Flaired /UNF/G/R etc.can be provided on request.  
Non standard connections can be provided through adaptors.

Bore Diameter:

d6

d Indicate Bore Diameter in mm

Outer Diameter:

D12

D Indicate Outer Diameter in mm

Thermowell Insertion Length:

U400

U Indicate Immersion Length in mm

Lagging / Extension Length:

E60


E Indicate Lagging Length in mm

Finished Head Diameter:

HD40

HD Indicate Hex Diameter in mm      HR Indicate Round Diameter in mm

Ordering Example : TWSS- A - I - A - D- 3 - UD - 200mm - 02250 - F - G3 - A - 0750 - 0500 - 1A - 1 - T

Distributor	 <b>KB&amp;T</b> <b>KB&amp; TRADERS</b>	79/1, APS Complex, Iduvampalayam Road, Periyandipalayam Tiruppur-641687, India Mobile: 90477 77573, Tel : 0421 4955647 Email: sales@kbandtraders.com. Web: www.kbandtraders.com

