

FLANGED TAPERED TYPE **TWFT**

Application

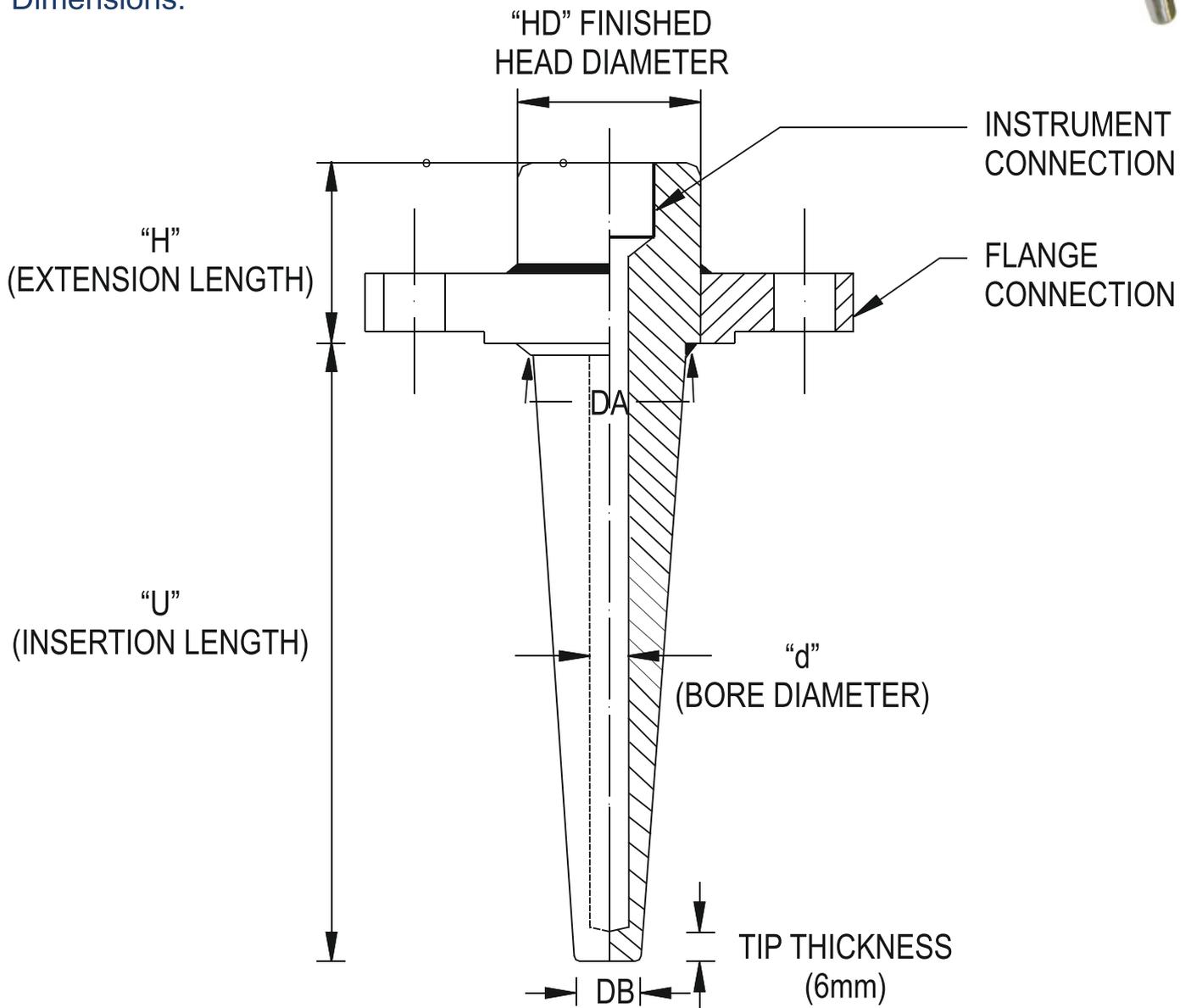
Thermowells are used as accessories with temperature instruments and temperature sensors to protect its basic sensing element from corrosive and mechanical damages due to process parameters.

Special Features:

- ★ Fabricated from Barstock
- ★ Standard Followed PTC 19.3
- ★ Available in Exotic Materials



Dimensions:



All Dimensions are in mm, Drawings are not to scale

HOW TO ORDER

Basic Model:

TWFT

CS	Carbon Steel	IN	Inconel 600	TT	Tantalum	S6L	AISI 316LSS	S6
S4	AISI 304SS	HC	Hastalloy 'C'	A2	Alloy 20	Ss4	AISI 446SS	
S6	AISI 316SS	TM	Titanium	In8	Incoly 800HT	ML	Monel 400	

(Other types of materials can be provided on request.)

Instrument Connection:

10N

1B	1/8" BSP (F)	6T	1/4" BSPT (F)	15N	1/2" NPT (F)	M16	M 16 X 1.5 (F)
1N	1/8" NPT (F)	10B	3/8" BSP (F)	15B	1/2" BSP (F)	M20	M 20 X 1.5 (F)
2B	1/4" BSP (F)	10T	3/8" BSPT (F)	15T	1/2" BSPT (F)		
2N	1/4" NPT (F)	10N	3/8" NPT (F)	M12	M 12 X 1 (F)		

Flange Connection: ANSIB16.5:50NB:150#RF

Flanges as per DIN 2527

Flanges as per ANSI B16.5

Flanges as per BS 10

Flanges as per JIS - B 2210

Note : Please Mention the finish of the flange separately

RF: Raised Face

FF: Flat Face

RT: Ring Type Joint

Bore Diameter:

B6

B Indicate Bore Diameter in mm

Tapering Start At:

d0

d Indicate Distance below flange in mm

Outer Major and Minor Diameter:

ODA20mm-ODB12mm

ODA Indicate Major Diameter in mm ODB Indicate Minor Diameter in mm

Thermowell Insertion Length:

L400

L Indicate Immersion Length in mm

Lagging / Extension Length:

E60

E Indicate Lagging Length in mm

Finished Head Diameter:

HD40

HD Indicate Hex Diameter in mm HR Indicate Round Diameter in mm

Options:

TPC

TPC	Plug and Chain of Stainless Steel	TIBR	IBR Certification
TMC	Test Certificate for Material of Construction	CTC	Teflon Coating
TBC	Bore Concentricity Test	CRL	Rubber Lining
THT	Hydrotest at 100 kg/cm ² (From Inside and Outside)	CHC	Hastalloy C Overlay
TDP	Dye Penetration Test for Weld Joints	CWO	Tungsten Carbide Coating
TCD	Crack Detection Ultrasonic Test	CGL	Glass Lining
TRT	Radiography Test for Thermowells	CTI	Titanium Overlay
TWF	Wake Frequency Test as per PTC 19.3	CCT	Ceramic Tubing

Ordering Example : TWFT - A - I - A - D- 3 - UD - 200mm - 02250 - F - G3 - A - 0750 - 0500 - 1A - 1 - T