

## Industrial Inert Gas Expansion Type Thermometer

TG

Inert, non hazardous, non toxic nature of the filled system makes it virtually ideal choice of cross section of industries.

### Applications :

Food & beverage, pharmaceutical, cryogenics, Chemical, Petro chemical, Gas & Oil, Food & Pharmaceutical, Pulp, Paper, Cement, machine & apparatus construction, Suitable for corrosive environments & gaseous or liquid Media that will not obstruct the pressure system.

### Special Features :

- ★ Use of inert gas - N<sub>2</sub>
- ★ Suitable for sanitary application
- ★ All SS construction
- ★ Rigid stem or capillary type
- ★ Fast response
- ★ Non-polluting, environment friendly
- ★ Non-hazardous for the service
- ★ High reliability
- ★ IP-65 protection
- ★ Accuracy ± 1% FSD

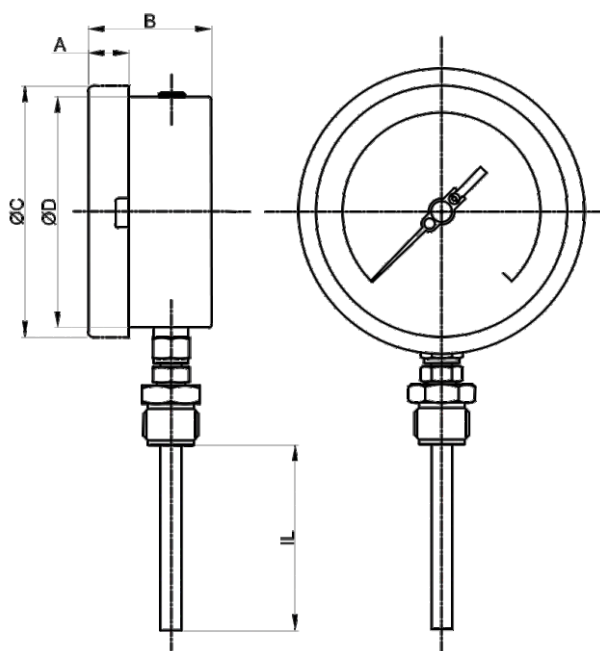


### Specifications

<b>Accuracy</b>	±1% of F.S.CLASS 1
<b>Dial Size</b>	NS 100, 150,200, 250
<b>Ambient Temp</b>	-25 C to 65 C
<b>Range</b>	As per Range Table.
<b>Over Temperature</b>	Max. 120 % F.S.
<b>Case &amp; BEZEL</b>	IP-65) : SS 304 Snap Action Bayonet type / Die cast aluminum outer screwed bezel stove enameled black finishss 316 on request
<b>Wetted Matrial</b>	SS316 L [ STEM & CONNECTION ]
<b>Capillary Inner</b>	SS304 /SS316
<b>Capillary Armour</b>	SS304
<b>Joints</b>	TIG ARGON ARC WELDED
<b>Dial Aluminum</b>	Aluminum, black graduation on white background
<b>Pointer</b>	Aluminum, black Coloured Micrometer Zero adjustable
<b>Window</b>	SHEET GLASS
<b>Gasket &amp; Filling Plug</b>	NEOPRINE
<b>Stem&amp; Bulb DIA</b>	Ø6 mm, 8 mm,10 mm, 12mm
<b>Stem Length</b>	100 - 4000 mm, other length on request min. length depends on bulb diameter
<b>Capillary Length</b>	Maximum 15 Meters
<b>Process Connection</b>	Plain 1/2" 3/4" 1" BSP / NPT (M), M20x1.5, M24x1.5, M27x2 Fixed, adjustable or with swivel nut
<b>Mounting</b>	Bottom connection Direct, Bottom Connection 45° Angle
<b>Direct Stem</b>	Bottom Connection 90° Angle, Back Connection Direct Mpunting Every Angel Direct Mounting

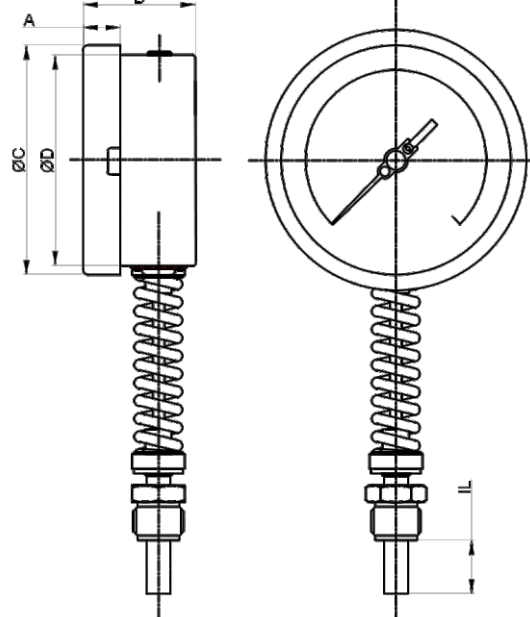
## Dimension Stem type :

Bottom Direct



Bottom Direct						
NS	A	B	ØC	ØD	E	IL
100	15.5	47	109	98.5	22	**
150	15.5	49	160	149	22	**
200	17.5	48.5	202	216	22	**
250	17.5	53	247.5	261	22	**

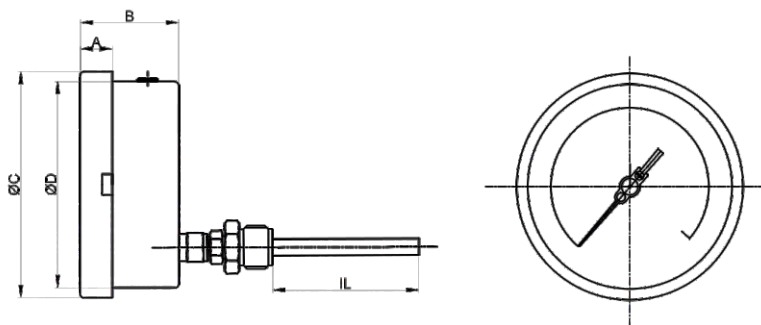
Anti Vibration



Anti Vibration Spring Bottom Direct						
NS	A	B	ØC	ØD	E	IL
100	15.5	47	109	98.5	22	**
150	15.5	49	160	149	22	**
200	17.5	48.5	202	216	22	**
250	17.5	53	247.5	261	22	**

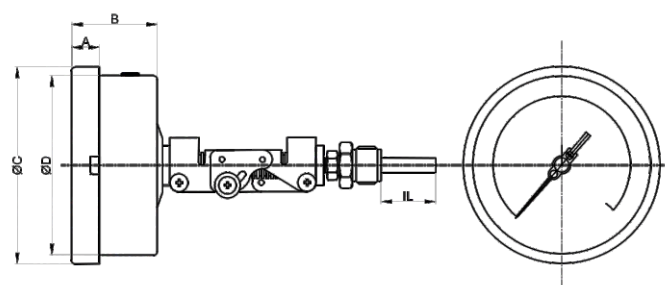
TG

Back Direct



Back Direct						
NS	A	B	ØC	ØD	E	IL
100	15.50	47	109	98.50	22	**
150	15.50	49	160	149.00	22	**

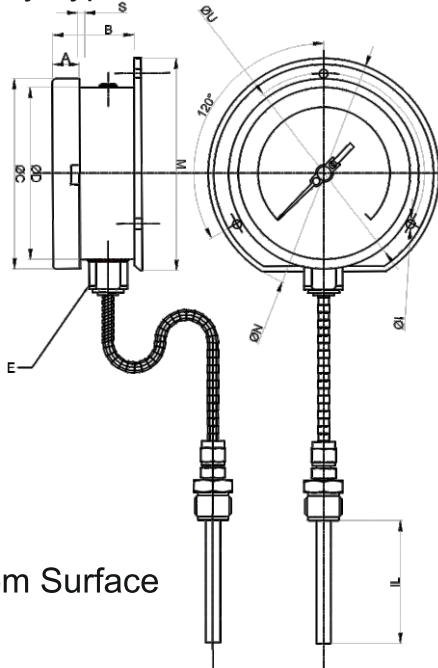
Every Angle



EVERY ANGLE						
NS	A	B	ØC	ØD	E	IL
100	15.50	47	109	98.50	22	**
150	15.50	49	160	149.00	22	**

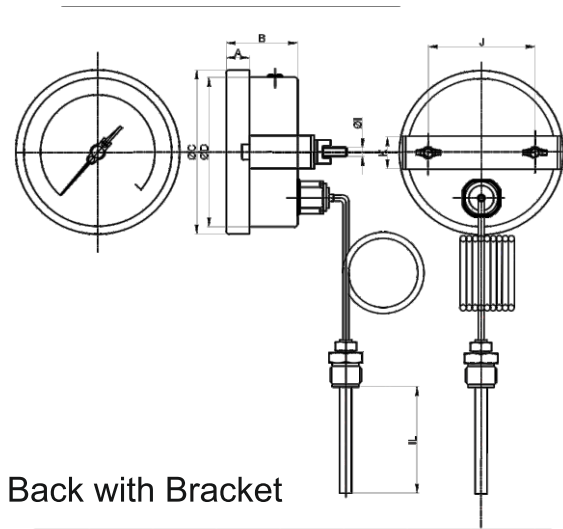
All Dimensions are in mm, Drawings are not to scale

## Capillary Type :



Bottom Surface

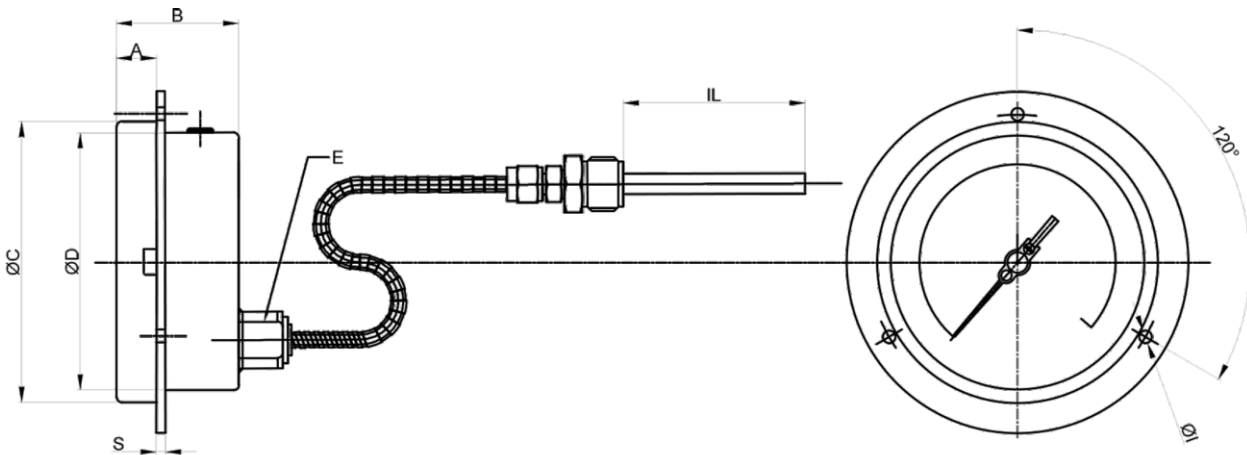
NS	A	B	ØC	ØD	E	ØI	ØN	ØU	M	S	IL
100	15.5	47	109	98.5	22	5	132.5	115	122	4	**
150	15.5	49	160	149	22	5	185	175	174	3	**



Back with Bracket

NS	A	B	ØC	ØD	E	J	K	V	ØI	IL
100	15.5	47	109	98.5	22	71	22	105	5	**
150	15.5	49	160	149	22	117	25	158	5	**

## Back Panel



NS	A	B	ØC	ØD	E	ØI	ØN	ØU	S	IL
100	15.5	47	109	98.5	22	5	132.5	115	3.3	**
150	15.5	49	160	149	22	5	185	175	3.3	**

All Dimensions are in mm, Drawings are not to scale

## HOW TO ORDER

### Basic Model:

### CODE

Nominal Size(mm)

C      D      E      F  
100   150   200   250

### Type Of Mounting:

1. Direct Bottom Entry
2. Wall / Surface / Projection Mounting With Bottom Entry
3. Direct Lower Back Entry
4. Flush Panel Back Entry with Front Flange
5. Back Entry with Mounting Bracket

C

1

w! b D9 Ç! . [ 9□

Note : Delta offers National / International Scales like °C, °F, °K. Dual scales in °C and °F scales can be provided on request. Following are the example ranges in °C

POSITIVE RANGE SINGLE SCALE IN °C

RANGE	RANGE	RANGE	RANGE	RANGE
0/50	0/100	0/200	0/400	0/600
0/60	0/120	0/300	0/500	0/650
0/80	0/150			

COMPOUND RANGE SINGLE SCALE IN °C

RANGE	RANGE	RANGE	RANGE	RANGE
-80/70	-40/60	-40/40	-30/70	-30/120
-50/50	-20/60	-30/50	-20/40	-30/170
-80/40	-20/80	-20/180	-20/80	-20/100

(Other types of mounting can be provided on request.)

## Process Connection :

10N

10B	3/8" BSP (M)	15B	1/2" BSP (M)
10BT	3/8" BSPT (M)	15BT	1/2" BSPT (M)
10N	3/8" NPT (M)	20N	3/4" BSP (M)
		20B	3/4" BSP (M)

Note : Connections like PTr/Flaired /UNF/G/R etc.can be provided on request. Non standard connections can be provided through adaptors.

## Connection Type :

AC

FC Fixed Connection AC Adjustable

## Stem Diameter :

6mm

6mm	6mm Diameter	8mm	8mm Diameter
10mm	10mm Diameter	12mm	12mm Diameter

## Total Stem Length (Below Case):

L300

L Indicate Total Stem Length in mm (including Immersion and Extension Length)

## Range:

0-100 °C

Refer Range Table

## Capillary Type:

C 1.5mtr

C Indicate Total Capillary Length in metres.

## Option:

SC AISI 316 SS Case & Ring	FP Five Point factory Calibration Certificate
DD Custom Designed Dial	GP Plexi Glass
DT Dial Tag Marking	GS Shatterproof / Safety Glass
ST SS Tag Plate	GT Toughened Glass

GT

Ordering Example:

TG-C1-10N-AC-6mm-L300-0 100C-A4-C1.5mtr-GT

Note : Due to continuous improvement, the specification may vary from time to time. For non standard products/optional items, please contact factory for delivery and minimum quantity of order.

Distributor	79/1, APS Complex, Iduvampalayam Road, Periyandipalayam Tiruppur-641687, India Mobile: 90477 77573, Tel : 0421 4955647 Email: sales@kbandtraders.com. Web: www.kbandtraders.com
-------------	---