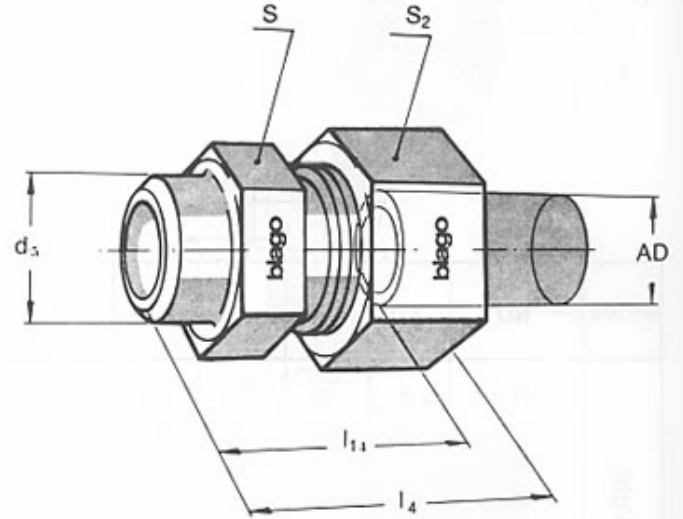




Straight weld-on connector



series	ND	AD	S	S ₂	d _s	l ₁₁	l ₄	Blago- No.	DIN 2353	kg %
--------	----	----	---	----------------	----------------	-----------------	----------------	---------------	-------------	---------

L = light	315	6	12	14	10	14	29	ASL- 6	XL 6	2,5
	315	8	14	17	12	16	31	ASL- 8	XL 8	3,6
	315	10	17	19	14	18	33	ASL-10	XL 10	4,7
	315	12	19	22	16	18	33	ASL-12	XL 12	6,3
	315	15	22	27	19	22	37	ASL-15	XL 15	8,4
	315	18	27	32	22	23,5	40	ASL-18	XL 18	13,9
	160	22	32	36	27	28,5	45	ASL-22	XL 22	18,1
	160	28	41	41	32	30,5	47	ASL-28	XL 28	30,2
	160	35	46	50	40	32,5	54	ASL-35	XL 35	37,7
	160	42	55	60	46	35	58	ASL-42	XL 42	64,1

S = heavy	640	6	14	17	11	19	34	ASS- 6	XS 6	3,2
	640	8	17	19	13	21	36	ASS- 8	XS 8	4,9
	640	10	19	22	15	22,5	39	ASS-10	XS 10	7,2
	640	12	22	24	17	24,5	41	ASS-12	XS 12	8,3
	640	14	24	27	19	27	45	ASS-14	XS 14	10,8
	400	16	27	30	21	26,5	45	ASS-16	XS 16	14,4
	400	20	32	36	26	29,5	51	ASS-20	XS 20	21,8

S = heavy	400	25	41	46	31	32	56	ASS-25	XS 25	37,7
	400	30	46	50	36	35,5	62	ASS-30	XS 30	44,9
	315	38	55	60	44	38	69	ASS-38	XS 38	68,4

Distributor



KB&T

KB& TRADERS

79/1, APS Complex, Iduvampalayam Road,
Periyandipalayam Tiruppur-641687, India
Mobile: 90477 77573, Tel : 0421 4955647
Email: sales@kbandtraders.com.
Web: www.kbandtraders.com