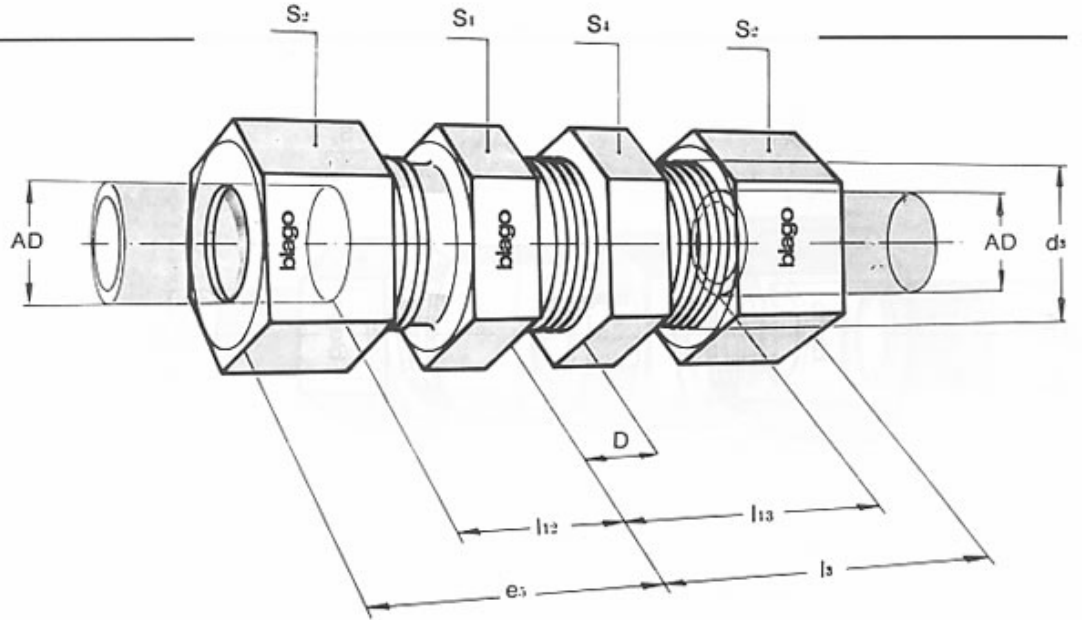




### Straight bulkhead coupling



series	ND	AD	S <sub>1</sub>	S <sub>2</sub>	S <sub>4</sub>	l <sub>12</sub> ≈	l <sub>13</sub> ≈	l <sub>3</sub> ≈	e <sub>3</sub> ≈	D	Blago- No.	DIN 2353	kg %
--------	----	----	----------------	----------------	----------------	----------------------	----------------------	---------------------	---------------------	---	---------------	-------------	---------

L = light	315	6	17	14	17	7	27	42	22	16	<b>SVL- 6</b>	RL 6	6,7
	315	8	19	17	19	8	27	42	23	16	<b>SVL- 8</b>	RL 8	8,4
	315	10	22	19	22	10	28	43	25	16	<b>SVL-10</b>	RL 10	11,0
	315	12	24	22	24	10	29	44	25	16	<b>SVL-12</b>	RL 12	13,3
	315	15	27	27	30	12	31	46	27	16	<b>SVL-15</b>	RL 15	22,8
	315	18	32	32	36	13,5	32,5	49	30	16	<b>SVL-18</b>	RL 18	33,2
	160	22	36	36	41	16,5	34,5	51	33	16	<b>SVL-22</b>	RL 22	41,5
	160	28	41	41	46	18,5	35,5	52	35	16	<b>SVL-28</b>	RL 28	52,5
	160	35	50	50	55	18,5	36,5	58	40	16	<b>SVL-35</b>	RL 35	80,0
	160	42	60	60	65	19	36	59	42	16	<b>SVL-42</b>	RL 42	119,3

S = heavy	640	6	19	17	19	12	29	44	27	16	<b>SVS- 6</b>	RS 6	9,6
	640	8	22	19	22	13	29	44	28	16	<b>SVS- 8</b>	RS 8	12,4
	640	10	24	22	24	14,5	29,5	46	31	16	<b>SVS-10</b>	RS 10	18,1
	640	12	27	24	27	14,5	30,5	47	31	16	<b>SVS-12</b>	RS 12	21,0
	640	14	30	27	30	17	32	50	35	16	<b>SVS-14</b>	RS 14	29,0
	400	16	32	30	32	16,5	31,5	50	35	16	<b>SVS-16</b>	RS 16	31,0
	400	20	41	36	41	17,5	33,5	55	39	16	<b>SVS-20</b>	RS 20	54,5

S = heavy	400	25	46	46	46	20	35	59	44	16	<b>SVS-25</b>	RS 25	89,0
	400	30	50	50	50	21,5	37,5	64	48	16	<b>SVS-30</b>	RS 30	107,7
	315	38	60	60	65	22	37	68	53	16	<b>SVS-38</b>	RS 38	173,0

Distributor



**KB&T**

**KB& TRADERS**

79/1, APS Complex, Iduvampalayam Road,  
Periyandipalayam Tiruppur-641687, India  
Mobile: 90477 77573, Tel : 0421 4955647  
Email: sales@kbandtraders.com.  
Web: www.kbandtraders.com