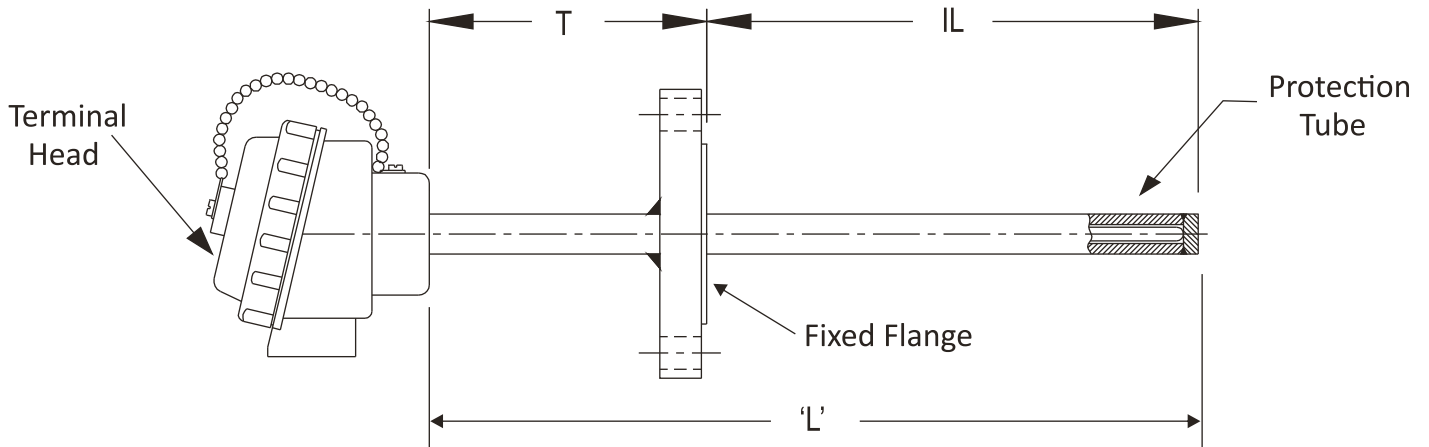


RTD ASSEMBLY WITH PROTECTION TUBE (FLANGED CONNECTION)

RTD11



Special Features :

- ★ Mineral insulation.
- ★ Available in all sheath diameters and sheath materials of SS304 & SS316.
- ★ Mineral insulation enables flexibility and Durability.
- ★ Enclosures in all material - Die cast Aluminium / Cast Iron / SS 304 / SS 316
- ★ Enclosures in all categories (Weatherproof, IP-65 to IP-68, Flameproof Gr. IIA IIB and Explosionproof, Gr. IIA, IIB, IIC for H₂ service application.)

Application :

Air & flue gas service in power plant application, General industry application, Furnace temp. measurement etc.

How to Order:

Code	No of Element
1	Simplex
2	Duplex

1

Code	Element Type
Pt -100	Pt - 100 RTD
Pt - 500	Pt - 500 RTD
Pt - 1000	Pt - 1000 RTD
Cu - 53	Cu - 53

2

Code	Range
FLM	-200°C till 449°C
CMC	450°C till 600°C

3

Code	Accuracy
A	Class 'A' Tolerance as per IEC - 751
B	Class 'B' Tolerance as per IEC - 751

4

Code	Wire Configuration
2W	2 Wire System
3W	3 Wire System
4W	4 Wire System

5

Code	Sheath Diameter
3	3.0 mm
3/ 2.8	3.0/ 2.8 mm*
6	6.0 mm
6/ 5	6.0/ 5.0 mm*
8	8.0 mm
8/ 5	8.0/ 5.0 mm*

6

Consult factory for other diameter.
* RTD Element will be enclosed in Ø3.0 mm SS 316 sheath & Extended by Ø2.8 mm Mineral Insulated lead out cable.

Standard Product details :

No of element	Simplex
Element type	Pt - 100 RTD
Range	-200°C till 449°C
Accuracy	Class 'B' Tolerance as per IEC - 751
Wire Configuration	3 Wire System
Sheath Diameter	6.0 mm
Sheath Material	SS 316
Terminal Head Type	Screwed type, weatherproof, IP-65 in die-cast Aluminium
No. of Conduit Entry/Entries	One
Conduit Entry Size	3/4" ET(F)
Head Extension Type	Head Only
Protecting Tube Material	SS 316
Protecting Tube Size	1/2" SCH.40
Flange Material	A182 F316
Flange Type / Size	Adjustable flange (Specify Size)
Total / Insertion Length	L = 300 mm.
Extension Length "T" mm	Not Applicable
Head Extension Length "N" mm	Not Applicable
Option Description	S.C. cable gland in nickel plated brass

Code	Sheath Material
316	SS 316

7

Code	Terminal Head Type
SWP	Screwed type, weatherproof, IP-65 in die-cast Aluminium
SFP	Screwed type, flamerproof Gr. IIA IIB in die-cast Aluminium
SEP	Screwed type, explosionproof Gr.IIC in die-cast Aluminium
HWP	Hinged type, weatherproof, IP-65 in die-cast Aluminium
JWP	Junction box, weatherproof, IP-65 in die-cast Aluminium
JFP	Junction box, flamerproof Gr. IIA IIB in die-cast Aluminium
JEP	Junction box, explosionproof Gr.IIC in die-cast Aluminium
BWP	Weatherproof Head, IP-65 in die-cast Aluminium with cover fitted with two screws.

8

Code	No. Of Conduit Entry/Entries
1	One
2	Two
	Other, Please Specify

9

Code	Conduit Entry Size
A	3/4" ET(F)
B	1/2"NPT(F)
C	3/4"NPT(F)
	Other, Please Specify

10

Code	Head Extension Type
X	Head Only
NU	Head With Nipple & Union

11

Code	Protecting Tube Material
304	SS 304
310	SS 310
316	SS 316
316L	SS 316L
446	SS 446
INC6	INCONEL 600

12

Code	Protecting Tube		
	Size	OD in mm	Thickness in mm
J07	10x7	10	1.5
J09	12x9	12	1.5
M40	3/8"Sch.40	17.15	2.31
M80	3/8"Sch.80	17.15	3.20
N40	1/2"Sch.40	21.30	2.77
N80	1/2"Sch.40	21.30	3.74
P40	3/4"Sch.40	26.70	2.87
P80	3/4"Sch.80	26.70	3.91
	Other, Please Specify		

13

Code	Flange Material
A105	ASTM A105 (CS)
F304	A182 F304
F316	A182 F316
	Consult factory for other material.

14

Code	Flange Type / Size
FF	Fixed Flange (Specify Size)
AF	Adjustable Flange (Specify Size)

15

Code	Total / Insertion Length
L	Specify in mm.
IL	Specify in mm.

16

Code	Extension Length "T"mm
T	Specify in mm.
X	Not Applicable

17

Code	Head Extension Length "N"mm
N	Specify in mm.
X	Not Applicable

18

Code	Option Description
0	None
3	Terminal head in SS 304
4	Terminal head in SS 316
5	Terminal head in Cast Iron
6	S.C. cable gland in nickel plated brass
7	D.C. cable gland in nickel plated brass
8	S.C. cable gland in SS 304
9	D.C. cable gland in SS 304
11	S.C. cable gland in SS 316
12	D.C. cable gland in SS 316
13	Head mounted temp. transmitter
14	S.S. base plate suitable for Temperature Transmitter mounting
16	Head Extension in SS 304.
17	Head Extension in SS 316.
20	Plug for conduit entry in Carbon Steel [ASTM A105]
21	Plug for conduit entry in SS 304
22	Plug for conduit entry in SS 316
23	Plug for conduit entry in Aluminium
PW	Five Point Factory Calibration Certificate
SX	SS Tag Plate

19


Note :

- When selecting option "PW", please also specify measuring temperature range.(For e.g. 0/300°C)
- Explanations of Abbreviations used:
 SC = Single Compression
 DC = Double Compression
 SS = Stainless Steel

(Ordering Example)

RTD11	S	(Pt-100)	DST	B	3W	6	S6	SWP	1	A	X	S6	N40	F316	AF(1.5"150#RF)	L=300	X	X	6
	1	2	3	4	5	6	7	8	9	10	11	12	13	14	15	16	17	18	19

Distributor



KB& TRADERS

79/1, APS Complex, Iduvampalayam Road,
 Periyandipalayam Tiruppur-641687, India
 Mobile: 90477 77573, Tel : 0421 4955647
 Email: sales@kbandtraders.com.
 Web: www.kbandtraders.com