

F E A T U R E S

SIMPLICITY OF CONSTRUCTION

Easy to assemble & disassemble.
Transmits torque through high tensile steel bolts to the machine input shaft.

VARYING STIFFNESS CHARACTERISTICS

Special bushes provide stiffness characteristics, absorbs effective shocks, torsional vibrations and accommodates misalignments.

NO LUBRICATION

Bush couplings never require lubrication of any kind.

SIMPLE / EASY MAINTENANCE

No complicated mechanism to demand adjustment or maintenance. Inspection and replacement of bushes is easy and bushes can be quickly fitted without dismantling or moving either of coupled shafts.

LOW OPERATIONAL COST

Only wearing part is low cost bushes which make coupling economical in long run.

SMOOTH & QUIET OPERATION

Reduces vibration & noise arising from severe torque fluctuations.

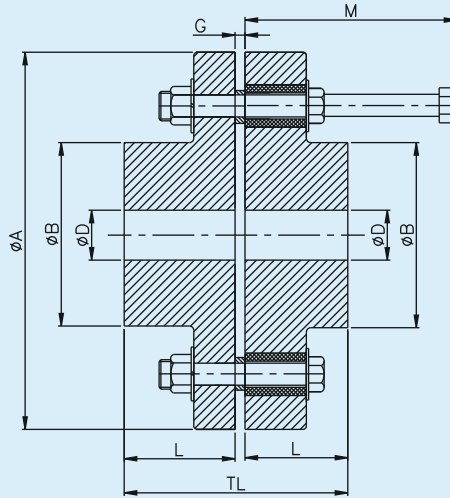


Rathi Transpower Pvt Ltd
Gaia Apex, S. No. 33/2D, Viman Nagar
Pune 411 014.(INDIA)

Distributor



79/1, APS Complex, Iduvampalayam Road,
Periyandipalayam Tiruppur-641687, India
Mobile: 90477 77573, Tel : 0421 4955647
Email: sales@kbandtraders.com.
Web: www.kbandtraders.com



TECHNICAL DATA

Coupling Size	kW at 100 rpm	Rated Torque Nm	Max. rpm	Bore ØD		Dimensions (mm)						No. Of Pins
				MIN.	Max.	ØA	ØB	G	L	M	TL	
LBC - 1	0.81	77	6100	12.7	30	95	44	3	38	58	79	3
LBC - 2	3.25	310	5100	12.7	35	114	51	3	48	70	99	4
LBC - 2A	5.40	516	4400	16	45	130	67	3	51	70	105	6
LBC - 3	6.50	621	3600	16	50	160	75	5	51	114	107	4
LBC - 4	8.70	831	3000	20	70	191	105	5	60	114	125	4
LBC - 4A	13	1241	3000	20	70	191	105	5	60	114	125	6
LBC - 5	17.40	1662	2600	25	80	225	115	5	76	114	157	6
LBC - 6	24.70	2359	2300	45	100	254	140	5	89	114	183	8
LBC - 6A	30.70	2932	2300	45	100	254	140	5	89	114	183	10
LBC - 6B	37	3533	2300	45	100	254	140	5	89	114	183	12
LBC - 7	43.50	4154	1950	60	115	290	170	5	115	114	235	12
LBC - 7A	54.40	5195	1900	60	120	300	180	5	115	130	235	14
LBC - 8	60.90	5816	1850	65	130	310	195	5	125	130	255	16
LBC - 8A	76.10	7268	1650	65	135	340	200	5	130	130	265	18
LBC - 8B	91.40	8729	1590	70	140	360	210	6	135	200	276	12
LBC - 9	104	9932	1470	80	150	390	225	6	155	200	316	13
LBC - 9A	139	13274	1400	90	160	410	240	6	165	200	336	15
LBC - 10	151	14420	1300	100	170	440	255	6	180	200	366	16
LBC - 10A	189	18050	1200	110	180	480	270	6	190	212	386	17
LBC - 11	249	23780	1080	120	190	530	285	6	200	212	406	20

NOTES - * MAINTAIN GAP 'G' AT THE TIME OF ASSEMBLY
 * ALL DIMENSIONS ARE IN mm. UNLESS OTHERWISE SPECIFIED.
 * FOR VERTICAL INSTALLATION CONTACT RATHI.

- IN VIEW OF OUR CONSTANT ENDEAVOUR TO IMPROVE QUALITY OF OUR PRODUCTS, WE RESERVE THE RIGHT TO ALTER OR CHANGE SPECIFICATIONS WITHOUT PRIOR NOTICE.
- THIS DOCUMENT IS THE INTELLECTUAL PROPERTY OF RATHI TRANSPOWER PVT. LTD. AND SUBJECT TO COPYRIGHT.