

SS CASE TEST GAUGE

PGMG

Application:

CALIBRATION LABORATORY & PRECISION READING

Features

- ★ Stainless Steel Case & High Precision Measuring System
- ★ Anti Parallax Mirror
- ★ Solid Front Design Features Baffle Wall Interposed Between The Sensing System & The Window, And A Pressure Relieving Back For Increased Safety.
- ★ Eye Friendly Green Dial
- ★ Standard Followed In General EN 837-1



Specifications

Standard Version: 150mm

Accuracy	±0.25% of F.S.
Ambient temperature	Upto 65°C
Process temperature	Max 65 C
Calibration temperature	+22 C
Operating pressure	75% of the Scale value
Over pressure limit	Referred to full Scale Value
Case	AISI 304 Solid front case
Ring	AISI 304 SS (Bayonet Type)
Bourdon	Beryllium Copper
Socket	AISI 316L SS
Blow off Disc	AISI 304 SS
Movement	Brass High Precision Jewel Bearing Type
Welding	Alloy Brazing
Protection	IP 55
Dial	Aluminium, White with Black Marking & Anti parallax Mirror Band
Pointer	Balanced, Knife - Edge Micrometer Adjustable
Pointer Stopper	Spring Type
Window	Shatterproof/Safety Glass
Gasket	Neoprene
Carrying Case	Wooden carrying case
Calibration certificate	5 Point traceable calibration certificate

Distributor



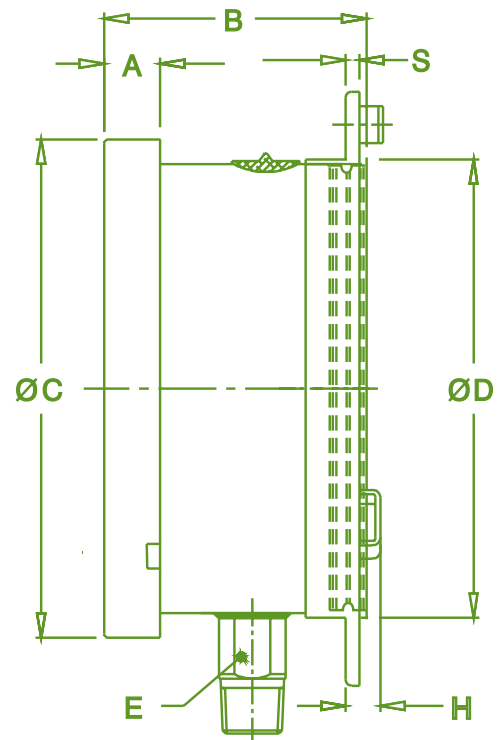
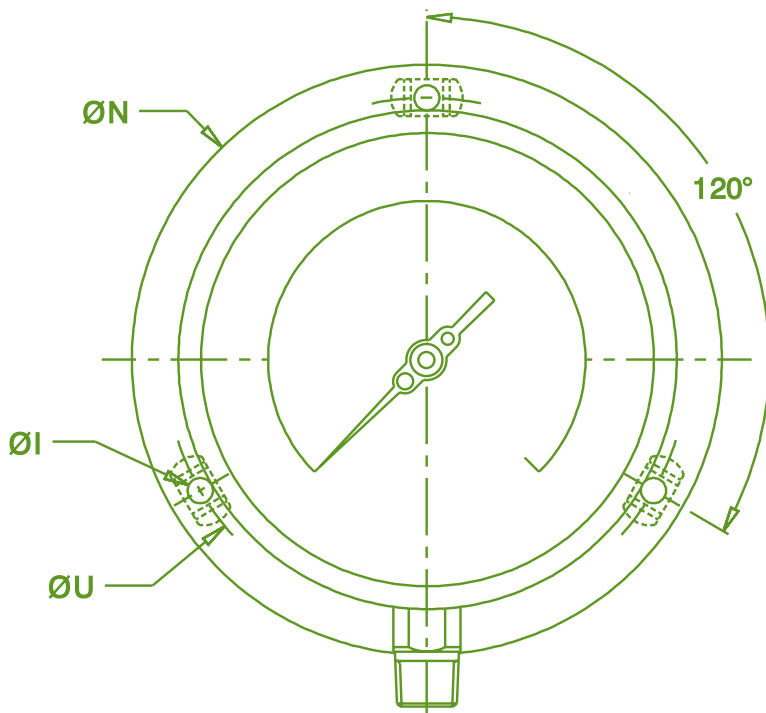
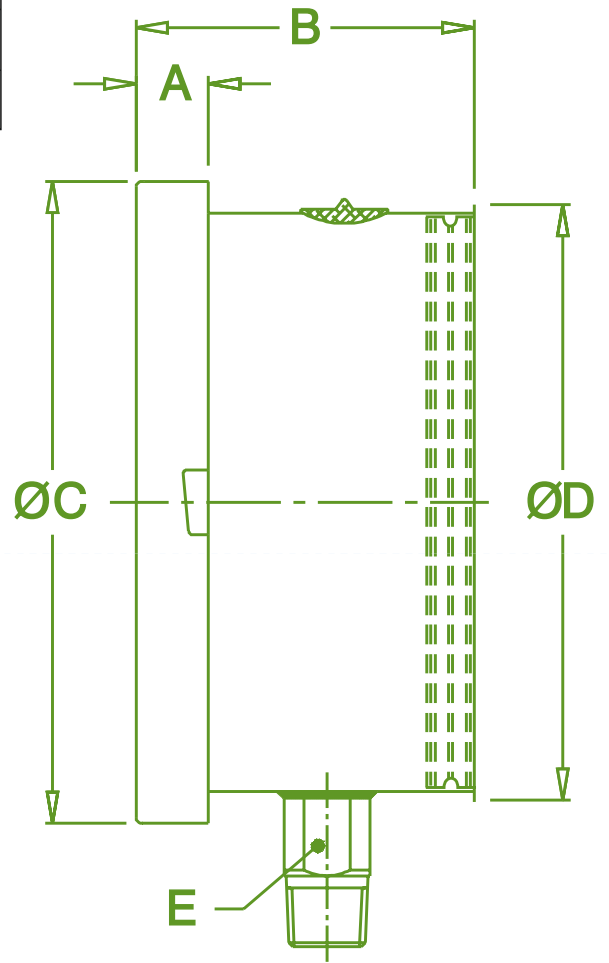
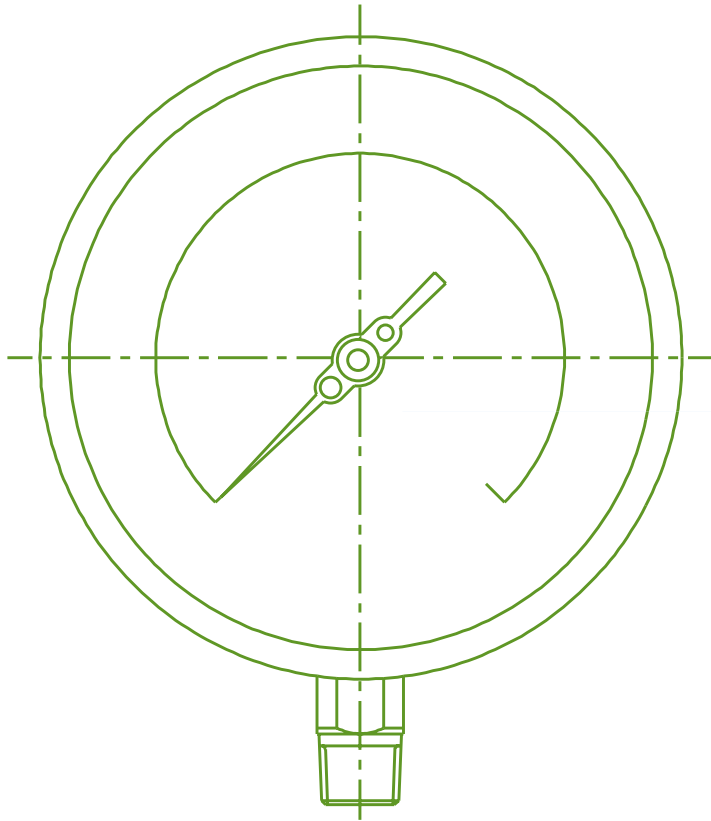
KB&T
KB& TRADERS

79/1, APS Complex, Iduvampalayam Road,
Periyandipalayam Tiruppur-641687, India
Mobile: 90477 77573, Tel : 0421 4955647
Email: sales@kbandtraders.com.
Web: www.kbandtraders.com

DELTA[®]

DIMENSIONS - STANDARD VERSION

NS	A	B	ØC	ØD	E	F
100	12.5	48	100	110	22	43.5
150	15	49	149	161	22	43.5



NS	A	B	ØC	ØD	E	ØN	ØU	H	Øi	S
150	15	66	161	149	22	196	178	15	6	5

All Dimensions are in mm, Drawings are not to scale