

All Stainless Steel Industrial Pressure Gauge with Electric Contact

IPEC

Applications :

Food & beverage, pharmaceutical, cryogenics, chemical & petrochemical industries, conventional & nuclear Power plants, pumps, hydro-cleaning machines, presses, engine Compressors, turbines, diesel engines & refrigerating plants

Special Features :

- ★ Stainless Steel Case & Measuring System
- ★ Socket & Case Welded
- ★ Standard Followed In General EN 837-1



Specifications

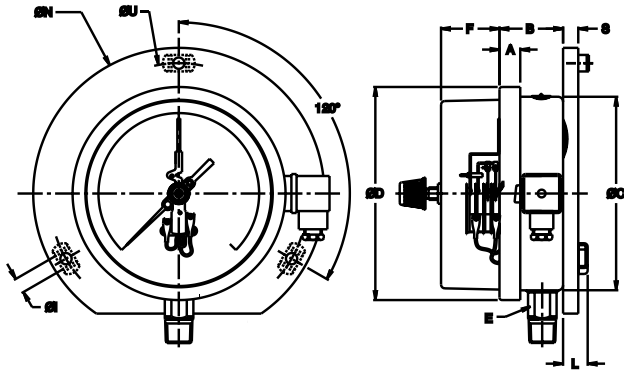
Standard Version: NS 100, 150

Accuracy	±1.0% of F.S.
Ambient temperature	- 20°C to + 65°C
Process temperature	Max 100°C
Electric Wiring	Junction Box
Contact Setting	Over on arc of 270° through a knob placed on front of lens
Operating pressure	75% of the Scale Value
Over pressure limit	Not Suitable
Case	AISI 304 SS
Ring	AISI 304 SS, Bayonet Type
Bourdon	AISI 316L SS
Socket	AISI 316L SS (Directly Welded to Case)
Movement	AISI 304 SS
Joints	Tig Argon Arc Welding
Protection	IP 65
Dial	Aluminium, black graduation on white background
Pointer	Aluminium, black coloured micrometer zero adjustable
Window	Polycarbonate Dome
Contact	Silver-Nickel / Paladium
Blow off Disc	Neoprene
Gasket	Neoprene

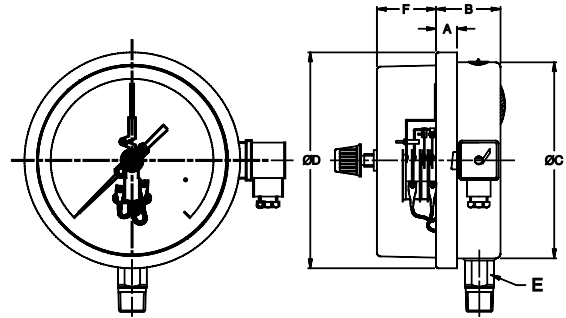
Dimension :

DIMENSIONS - STANDARD VERSION

Type 1



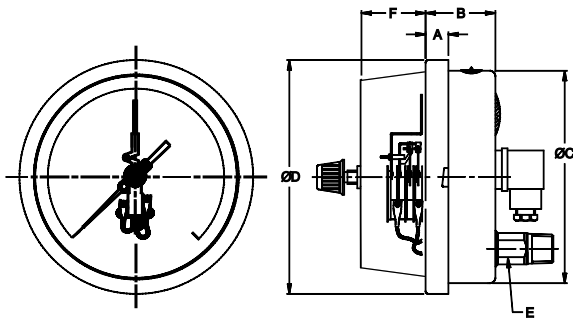
Type 2



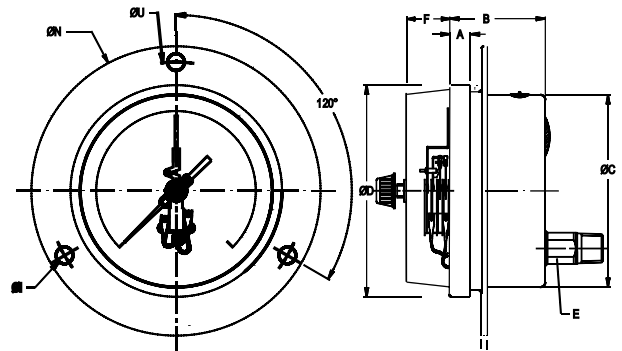
NS	A	B	ØC	ØD	E	ØI	ØN	ØU	L	S
100	12.5	48	100	110	22	43.5	6	14.5	6	134
150	15	49	149	161	22	43.5	5.5	15	6	186

NS	A	B	ØC	ØD	E
100	12.5	48	100	110	22
150	15	49	149	161	22

Type 3



Type 4



NS	A	B	ØC	ØD	E	F
100	12.5	48	100	110	22	43.5
150	15	49	149	161	22	43.5

NS	A	B	ØC	ØD	E	F	ØI	ØN	ØC
100	12.5	48	110	100	22	43.5	6	134	118
150	15	49	161	149	22	43.5	6	186	168

All Dimensions are in mm, Drawings are not to scale

RANGE TABLE

Note : Delta offers National / International Scales like kPa, MPa, bar, psi, kg/cm & Dual Scale like kPa with psi, kPa with bar, bar with psi or Equivalent scales as per the requirement can be provided on request. 2 Following are the example tables for kg/cm & psi scales

Pressure:

SINGLE SCALE - (kg/cm² or bar)

RANGE	RANGE	RANGE	RANGE	RANGE
0/1.6	0/10	0/60	0/400	0/1000
0/2.5	0/16	0/100	0/600	0/1400
0/4	0/25	0/160		
0/6	0/40	0/250		

DUAL SCALE (PSI with kg/cm²) or PSI with bar

RANGE (PSI)	RANGE (kg/cm ²)	RANGE (PSI)	RANGE (kg/cm ²)	RANGE (PSI)	RANGE (kg/cm ²)
0/25	0/1.6	-0/400	0/28	0/4000	0/280
0/35	0/2.5	0/500	0/35	0/5000	0/350
0/60	0/4	0/600	0/40	0/6000	0/400
0/100	0/7	0/1000	0/70	0/10000	0/700
0/150	0/10	0/1500	0/100	0/15000	0/1000
0/200	0/14	0/2000	0/140	0/20000	0/1400
0/300	0/20	0/3000	0/200		
0/2.5	0/16	0/100	0/600		

Vacuum & Compound:

DUAL SCALE (inHg with PSI & mmHg with kg/cm²)

RANGE inHg with PSI	RANGE -mmHg with kg/cm ²	RANGE inHg with PSI	RANGE mmHg with kg/cm ²	RANGE inHg with PSI	RANGE mmHg with kg/cm ²
- 30/15	- 760/1	- 30/100	- 760/6	- 30/300	- 760/20
- 30/30	- 760/2	- 30/150	- 760/9	- 30/350	- 760/24
- 30/60	- 760/3	- 30/200	- 760/15		

SINGLE SCALE (kg/cm²)

RANGE	RANGE	RANGE	RANGE
- 1/0.6	- 1/3	- 1/9	- 1/24
- 1/1.5	- 1/5	- 1/15	

ACCESSORIES †

GC	GAUGE COCK	GS	GAUGE SAVER	SN	SNUBBER
DS	DIAPHRAGM SEAL	NV	NEEDLE VALVE	SY	SIPHON

HOW TO ORDER

Basic Model:

CODE	C	D	IPEC
Nominal Size(mm)	100 mm	150 mm	C

Type Of Mounting:

1. Wall / Surface / Projection Mounting With Bottom Entry	2
2. Direct Bottom Entry	
3. Direct Lower Back Entry	
5. Flush Panel Back Entry with Front Flange	
6. Back Entry with Mounting Bracket	

Gauge Connection:

03B

M16	M 16 X 1.5 (M)	06BT	1/4" BSPT (M)	15N	1/2" NPT (M) STANDARD
M20	M 20 X 1.5 (M)	10B	3/8" BSP (M) STANDARD	15B	1/2" BSP (M) STANDARD
06B	1/4" BSP (M)	10BT	3/8" BSPT (M)	15BT	1/2" BSPT (M)
06N	1/4" NPT (M)	10N	3/8" NPT (M)	M12	M 12 X 1 (M)

Note : : Connections like PT/PF/Flaired /UNF/G/R etc.can be provided on request.
Non standard connections can be provided through adaptors.

Range: Refer tables

0-600
mmWC

Options:

PW

FOR NON STANDARD PRODUCTS/OPTIONAL ITEMS, PLEASE CONTACT FACTORY FOR DELIVERY AND MINIMUM QUANTITY OF ORDER

SC	AISI 316 CASE & BEZEL		
FP	FIVE POINT CALIBRATION CERTIFICATE	DD	CUSTOM DESIGNED DIAL
PW	INTEGRAL DAMPENING SCREW IN AISI 316 SS		


Electric Contacts

PW

A) MAGNETIC SNAP ACTION TYPE (230 V AC, 1 Amp.)

RJ	Single; NORMALLY CLOSED	YW	Single; NORMALLY OPEN
RK	Double; NORMALLY CLOSED + NORMALLY OPEN	YV	Single; NORMALLY CLOSED
RL	Single; NORMALLY OPEN	YX	Double; NORMALLY CLOSED + NORMALLY OPEN
RM	Double; NORMALLY OPEN + NORMALLY CLOSED	YY	Double; NORMALLY OPEN
RN	Double; NORMALLY CLOSED	YZ	Double; NORMALLY CLOSED
RO	Double; NORMALLY OPEN	ZA	Double; NORMALLY OPEN + NORMALLY CLOSED

Ordering Example : IPEC - C - 2 - 03B - 0/10kg/cm² - RJ

Distributor  KB&T KB& TRADERS	79/1, APS Complex, Iduvampalayam Road, Periyandipalayam Tiruppur-641687, India Mobile: 90477 77573, Tel : 0421 4955647 Email: sales@kbandtraders.com. Web: www.kbandtraders.com
---	---