

GAUGE COCK **GC**

Special Features :

- ★ Ptfе Adjustable Packing Installed Below Operating Threads To Prevent Media Contamination Or Lubricant Washout Of Operating Threads
- ★ Spindle For Longer Durable Operation

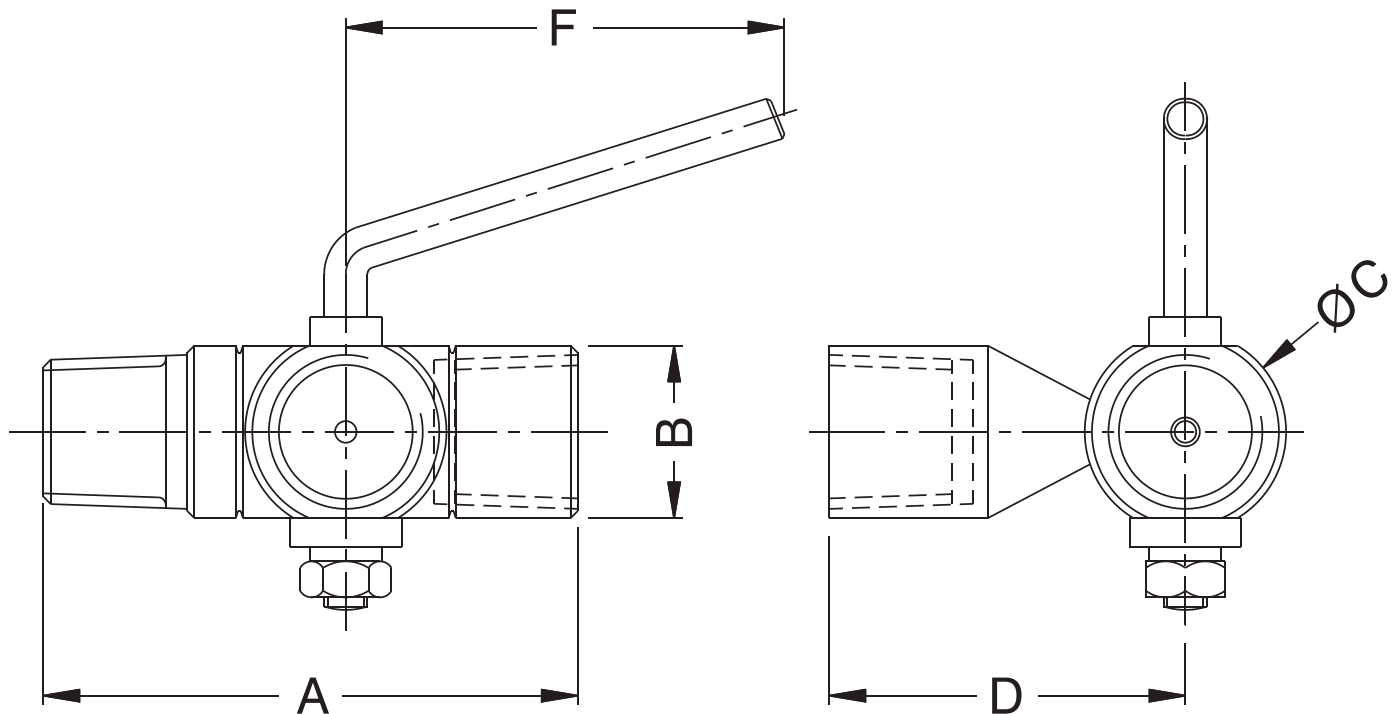


Specifications

Body	AISI 316 SS
Handle	AISI 316 SS
Working Temperature	Up to 180°C
Gasket seal	PTFE
Nominal pressure	100 kg/cm ²

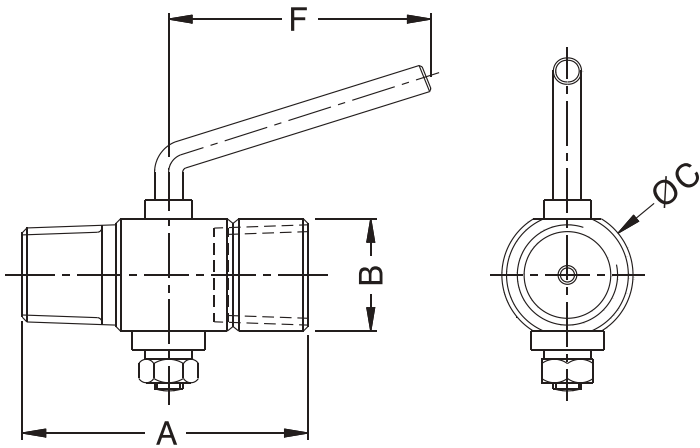
Dimensions:

3 WAY - ROUND BAR



A	B	ØC	D	F	Weight in gram (With Box)
75	24	28	49.5	61	375.3

2 WAY - ROUND BAR



A	B	ØC	F	Weight in gram (With Box)
60	24	28	56	235.0

Notes : • Drawings are not to scale. • All Dimensions are in mm.

All Dimensions are in mm, Drawings are not to scale

HOW TO ORDER

★ BASIC MODEL: GC

★ TYPE: KS

KS 2 WAY - ROUND BAR KU 3 WAY - ROUND BAR

★ BODY: TN

TN CARBON STEEL TK AISI 304 SS TM AISI 316 SS

★ SIZE & END CONNECTION [INLET x OUTLET]: NK

NF	1/4" (F x F)	NG	1/4" (M x F)	NH	1/4" (M x M)
NI	3/8" (F x F)	NJ	3/8" (M x F)	NK	3/8" (M x M)
NL	1/2" (F x F)	NM	1/2" (M x F)	NN	1/2" (M x M)

EXAMPLE : NM : 1/2" (MxF) MEANS 1/2" (MxFxF)

IN CASE OF 3 WAY GAUGE COCK, ONE CONNECTION WILL BE MALE & ANOTHER TWO WILL BE FEMALE


★ THREAD TYPE: GU

GU BSP GV NPT

★ OTHER OPTIONS: GH

GH MATERIAL TEST CERTIFICATE GI ST CERTIFICATE
V

Ordering Example: GC - KS - TM -NK - GU - GH

Distributor

KB&T
KB& TRADERS
 79/1, APS Complex, Iduvampalayam Road,
 Periyandipalayam Tiruppur-641687, India
 Mobile: 90477 77573, Tel : 0421 4955647
 Email: sales@kbandtraders.com.
 Web: www.kbandtraders.com

DELTA®