

DIAPHRAGM SEAL Screwed Flush Type DSSF

Applications :

Diaphragm seals are provided in the instruments like pressure Gauges, switches, transmitters in order to isolate the sensing element from the Main service due to its corrosive, viscous and sedimented nature and to avoid clogging And solidification. These seals are used in applications where the process media & Pulsation may adversely affect gauge life typically used in spray painting, waste water Treatment & chlorination plant etc

Special Features :

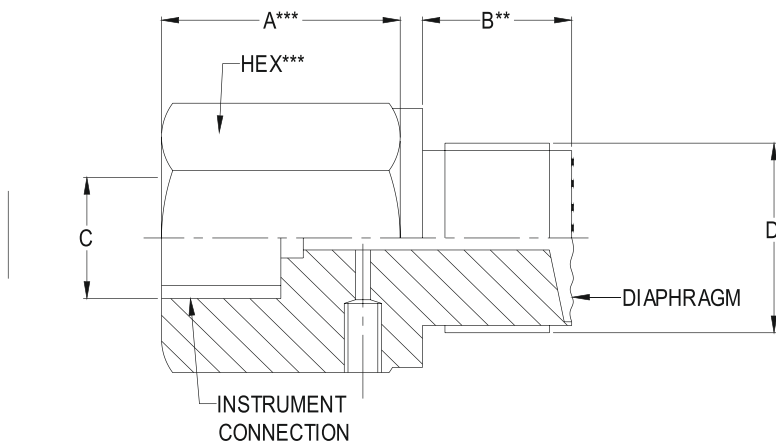
- ★ One Piece Construction
- ★ No Bolts/Gasket
- ★ Flush Diaphragm

Specifications

- Standard Version : Compatible with model IP for NS 100 & 150mr
- Pressure Range : 4 kg/cm² to 250 kg/cm²
- Process temperature : -40°C to 200°C or as per fill fluid
- Instrument Connection : 1/4" BSP (F)
- Process Connection : 3/4" BSP (M)
- Diaphragm : AISI 316L SS
- Seal Chamber : AISI 316 SS
- Fill Fluid : Silicon Oil - DC 200



Dimensions:



A***	B**	C	D*	HEX***
18	20	1/4" BSP(F)	3/4" BSP(M)	32

* FROM 3/4" BSP to 1.5" BSP
 ** TO SUIT PROCESS CONNECTION
 *** As Per Thread Size

All Dimensions are in mm, Drawings are not to scale

HOW TO ORDER

OPTIONS:

FOR NON STANDARD PRODUCTS/OPTIONAL ITEMS, PLEASE CONTACT FACTORY FOR DELIVERY AND MINIMUM QUANTITY OF ORDER

CHAMBER: S6L AISI 316L SS S6 AISI 316 SS HC HASTELLOY 'C' S6L

DIAPHRAGM: S6L AISI 316L SS HC HASTELLOY 'C' HC

INSTRUMENT CONNECTION: 10B

15B 1/2" BSP(F) 06B 1/4" BSP(F) 06N 1/4" NPT (F)

15N 1/2" NPT (F) 10N 3/8" NPT(F) 10B 3/8 BSP (F)

PROCESS CONNECTION: 20B

25N 1" NPT (M) 20N 3/4" NPT (M) 50B 2" BSP (M)

40N 1 1/2" NPT (M) 25B 1" BSP (M) 20B 3/4" BSP (M)

50N 2" NPT (M) 40B 1 1/2" BSP (M)

FILLING FLUIDS: UX

US FLUROLUBE 4.2 [-45 TO 175 °C / -49 TO 374° F]

UT FLUROLUBE 6.3 [-40 TO 235 °C / -40 TO 455° F]

UU FLUROLUBE FS5 [-40 TO 150°C / -40 TO 302°F]

UV FLUROLUBE FS5 [-40 TO 150°C / -40 TO 302°F]

UX SILICON DC 200-10CS [-40 TO 205°C / -40 TO 401°F]

VB SYL THERM XLT [-75 TO 150°C / -102 TO 302°F]

CAPILLARY: A0 WITHOUT CAPILLARY A1 WITH CAPILLARY A1
PE AISI 304 SS PG AISI 316 SS PE

CAPILLARY COVERED WITH ARMOUR:


PE AISI 304 SS PH AISI 316 SS PI PVC PE

CAPILLARY LENGTH(Max up to 2Mtrs.) 1Mtr.

IN METERS (e.g. 1.5 = 1.5 METERS 2.0 = 2 METERS)

OTHER OPTIONS: TC Dry Seal Only Without Instrument TB

Ordering Example: DSSF- S6L - HC - 10B - 20B - UX - A1 - PE - PF - 1Mtr. - TB

Distributor  KB&T KB& TRADERS	79/1, APS Complex, Iduvampalayam Road, Periyandipalayam Tiruppur-641687, India Mobile: 90477 77573, Tel : 0421 4955647 Email: sales@kbandtraders.com. Web: www.kbandtraders.com
---	---