

DIAPHRAGM SEAL FLUSH SANITARY TYPE

DSFS

Applications :

DIAPHRAGM SEALS ARE PROVIDED IN THE INSTRUMENTS LIKE PRESSURE GAUGES, SWITCHES, TRANSMITTERS IN ORDER TO ISOLATE THE SENSING ELEMENT FROM THE MAIN SERVICE DUE TO ITS CORROSIVE, VISCOUS AND SEDIMENTED NATURE AND TO AVOID CLOGGING AND SOLIDIFICATION. THESE SEALS ARE SPECIALLY DESIGNED FOR APPLICATIONS WHERE HIGH PURITY IN THE PROCESS IS ESSENTIAL.- TYPICALLY IN FOOD, BEVERAGES, DAIRY AND PHARMACEUTICAL INDUSTRIES.

Special Features :

- ★ ALL 316 STAINLESS STEEL
- ★ LASER WELDED FLUSH DIAPHRAGM
- ★ QUICK CONNECT / DISCONNECT FOR EASY CLEANING
- ★ MATCHING DIN, SMS, RJT ETC. STANDARDS
- ★ STD VERSION COMPATIBLE WITH DELTA MODEL IP FOR NS 50 TO 150MM



Specifications

Range	Refer range table with Nominal Sizes
Process Temperature	10°C to 150°C or as per fill fluid
Instrument Connection	½" BSP (F)
Process Connection	As per DIN 11851, SMS, RJT, IDF
Mounting	Direct (Without capillary)
Diaphragm	AISI 316L SS
Unit Nut	AISI 316 SS
Body	AISI 316 SS
Fill Fluid	Glycerin



Dimension :

DIN 11851

DN	M	F(DIN 405)
25*	20	Rd 52 x 1/6
32	30	Rd 58 x 1/6
40	30	Rd 65 x 1/6
50	40	Rd 78 x 1/6

* Connection 1/4" BSP (F)

SMS

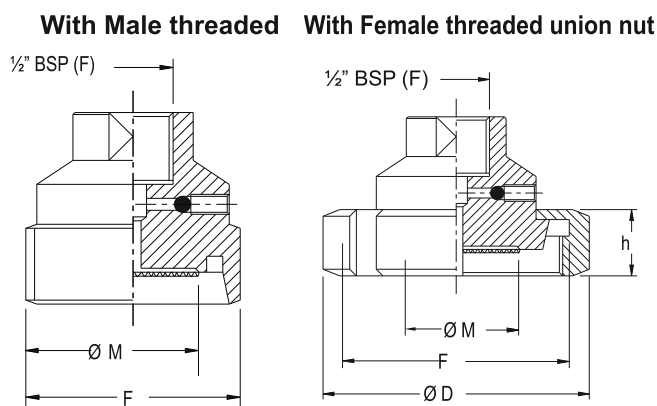
DN	M	F(DIN 405)
1 ½"	30	Rd 60 x 1/6
2"	40	Rd 70 x 1/6

RJT/APV

DN	M	F (Whitworth)
1 ½"	30	2" 5/16 x 8
2"	40	2" 7/8 x 6

IDF/ISS

DN	M	F(ACME)
1 ½"	29	2" 1/32 x 8
2"	36	2" 9/16 x 8



DIN 11851

DN	h	D	M	F(DIN 405)
25*	21	63	30	Rd 52 x 1/6
32	21	70	30	Rd 58 x 1/6
40	21	78	40	Rd 65 x 1/6
50	22	92	50	Rd 78 x 1/6

* Connection 1/4" BSP (F)

SMS

DN	h	D	M	F(DIN 405)
1 ½"	25	74	30	Rd 60 x 1/6
2"	26	84	40	Rd 70 x 1/6

RJT/APV

DN	h	D	M	F (Withworth)
1 ½"	22	Hex. 65	30	2" 5/16 x 8
2"	22	Hex. 79	40	2" 7/8 x 6

IDF/ISS

DN	h	D	M	F(ACME)
1 ½"	30	64	30	2" 1/32 x 8
2"	30	77	40	2" 9/16 x 8

All Dimensions are in mm, Drawings are not to scale

