

DIFFERENTIAL PRESSURE GAUGE DOUBLE DIAPHRAGM TYPE // // // DPDG

Application

Chemicals / Refinery / Nuclear / Aerospace / Fertilizer / Petrochemicals / Pharmaceutical / Power / Cement / Sugar / Food & Beverages / Pulp / Paper & Allied Process Industries.

Special Features:

- ★ Case & Measuring System In SS
- ★ Static Pressure Upto 200 Kg/Cm²
- ★ Single Side Static Pressure Sustainable
- ★ Dry Or Liquid Filled
- ★ Accuracy Upto 1.6% F.S.
- ★ Standard Followed In General EN 837 - 3



Specifications

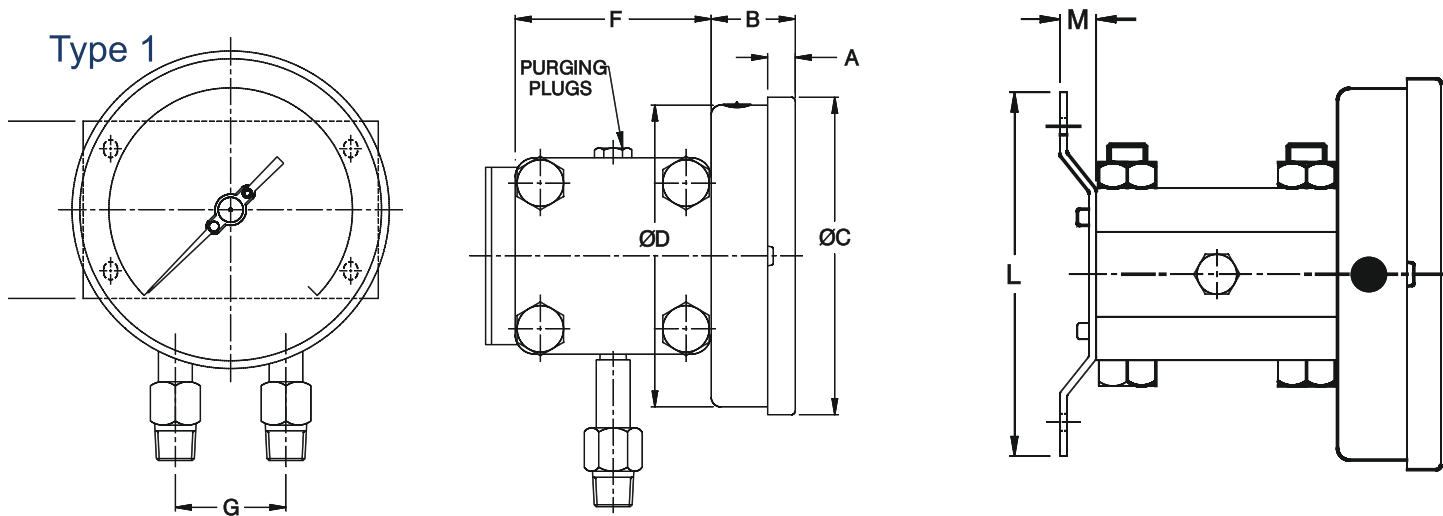
Standard Version: 100mm, 150mm

Accuracy	±1.6% of F.S.
Ambient temperature	- 25°C to + 65°C
Process temperature	Max 100°C
Static Pressure	100 kg/cm ² Above ranges 6000 mmWC 40 kg/cm ² upto ranges 6000 mmWC
Case	AISI 304 SS
Ring	AISI 304 SS Bayonet Type
Diaphragm	AISI 316L SS (Double Diaphragm)
Nuts & Bolts	AISI 304 SS
Purging Port Plug	2 x 1/4" NPT(F) AISI 304 SS
Chamber	AISI 304 Stainless Steel
Movement	AISI 304 Stainless Steel With Internal Limits Stops for Min. & Max. Pressure
Protection	AISI 304 SS
Dial	Aluminium, black graduation on white background
Pointer	Aluminium, black Coloured, Micrometer Zero Adjustable
Window	Shatter proof / Safety Glass
Case Gasket	Neoprene
Element Chamber Filling	Silicon Oil (Others as Optional)
Diaphragm Sealing Gasket	Viton
Scale Amplitude	180 to 270 (Depends on Range)

Temperature Error : When temperature of the pressure element deviates from +20°C
 Rising temperature: +0,6%/10°C of true scale value
 Falling temperature: - 0,6%/10°C of true scale value

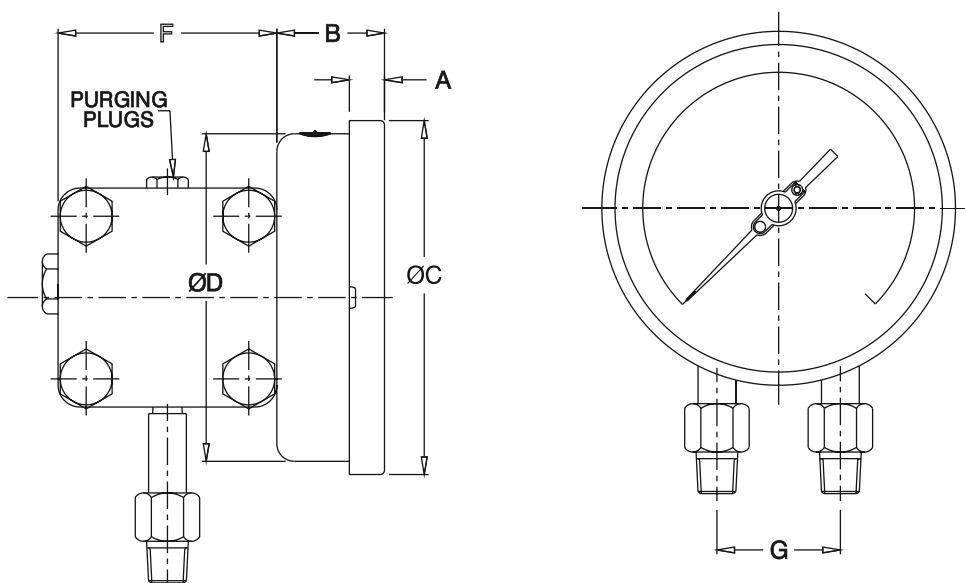
DIMENSIONS

Type 1



NS	A	B	ØC	ØD	F	G	M	L	P
100	125	48	110	100	99	50	16.5	149	90
150	15	49	161	149	99	50	16.5	149	90

Type 2

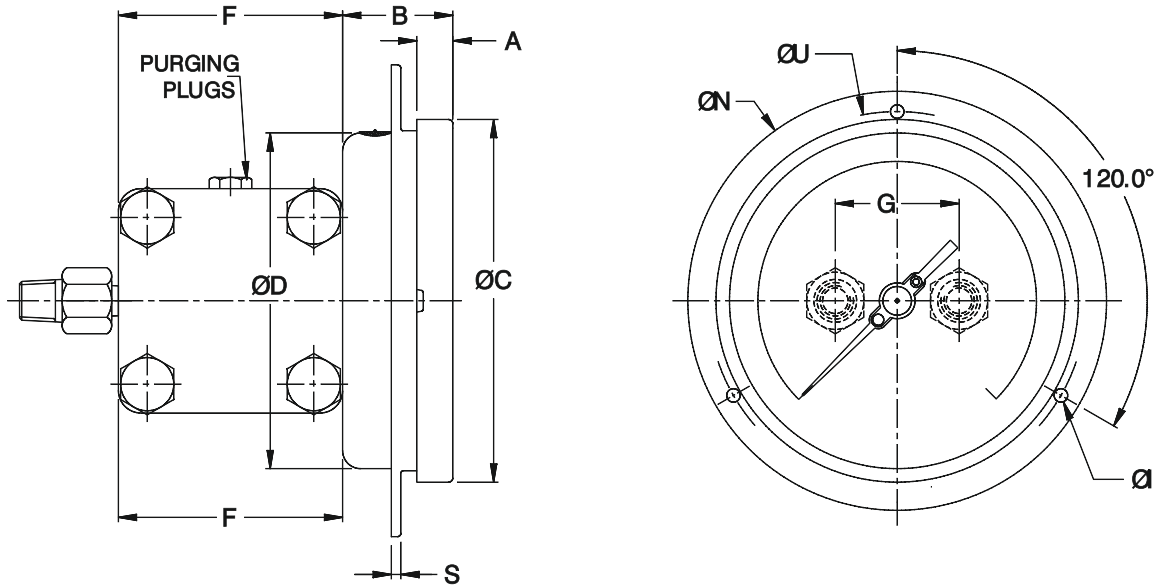


NS	A	B	ØC	ØD	F	G
100	12.5	48	110	100	99	50
150	15	49	161	149	99	50

All Dimensions are in mm, Drawings are not to scale

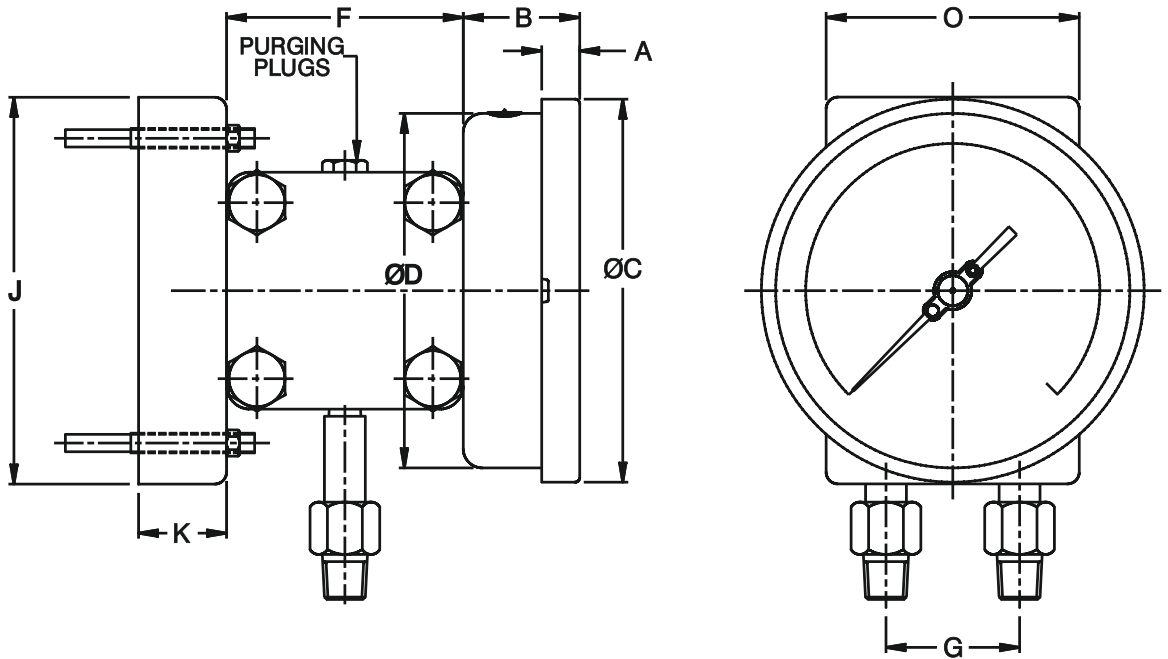
DIMENSIONS - STANDARD VERSION

Type 3



NS	A	B	ØC	ØD	S	Ø	Ø	ØU	F	F
100	125	48	110	100	1	6	134	118	99	50
150	15	49	161	149	5	6	186	168	99	50

Type 4



NS	A	B	ØC	ØD	F	G	J	K	O
100	125	48	110	100	99	50	164	37	105
150	15	49	161	149	99	50	164	37	105

RANGE TABLE

Note : Omicron offers National / International Scales like kPa, MPa, bar, psi, kg/cm², mbar, MWC, inWC & Dual Scale like kPa with psi, kPa with bar, bar with psi or Equivalent scales as per the requirement can be provided on request. Scales for floor are also available.

Following are the example tables for kg/cm² & mmWC

Pressure Range:

SINGLE SCALE

mmWC	mmWC	mmWC	kg/cm ²	kg/cm ²	kg/cm ²
0/250	0/1000	0/4000	0/1	0/2.5	0/10
0/600	0/1600	0/6000	0/1.6	0/4	0/16
0/1	0/2500		0/2	0/6	0/25

Note : Other Scale are available on customer request.

HOW TO ORDER

Basic Model:

CODE	C	D	DPDG
Nominal Size(mm)	100	150	H

Type Of Mounting:

1.	Surface Mounting With Bottom Entry		
2.	Direct Bottom Entry		
5.	Flush Panel Back Entry with Front Flange		
6	2" Pipe / Yoke Mounting Bottom Entry		2

Gauge Connection:

6NF	1/4" NPT (F) X 2 NOS. STANDARD)	15B	1/2" BSP (M) X 2 NOS.	6NF
10B	3/8" BSP (M) X 2 NOS.	06N	1/4" NPT (M) X 2 NOS.	
15N	1/2" NPT (M) (STANDARD)			

Note : Connections like PT/PF/Flaired /UNF/G/R etc.can be provided on request. Non standard connections can be provided through adaptors.

Range:

0-2
kg/cm²

Refer tables

Options:

PW

PS	AISI 316 SS CASE & BEZEL
PW	FIVE POINT CALIBRATION CERTIFICATE PY DAMPENING LIQUID GLYCERINE
QA	DAMPENING LIQUID SILICON OIL (GASKET & FILLING PLUG OF NBR / VITON) RB DIAPHRAGM CHAMBER IN AISI SS 316
RD	DIAPHRAGM CHAMBER IN MONEL (WITH MONEL DIAPHRAGM) RF DIAPHRAGM IN MONEL
YR	STATIC PRESSURE UPTO 200 Kg/cm ²
RX	SHATTERPROOF / SAFETY GLASS RZ TOUGHENED GLASS
RH	CUSTOM DESIGNED DIAL RW PLEXI GLASS
SW	DIAL TAG MARKING SX SS TAG PLATE

FOR NON STANDARD PRODUCTS/OPTIONAL ITEMS, PLEASE CONTACT FACTORY FOR DELIVERY AND MINIMUM QUANTITY OF ORDER

Note : For static Pressure above 200 Kg/cm² Please Consult Factory.

A) MAGNETIC SNAP ACTION TYPE (230 V AC 1Amp.)
(48 V DC 0.5Amp.)

AVAILABLE ONLY ABOVE 6000 mmWC

RJ	Single; NORMALLY CLOSED
RK	Double; NORMALLY CLOSED + NORMALLY OPEN
RL	Single; NORMALLY OPEN
RM	Double; NORMALLY OPEN + NORMALLY CLOSED
RN	Double; NORMALLY CLOSED
RO	Double; NORMALLY OPEN
RU	BOOSTER FOR CURRENT UPTO 5Amp

Ordering Example:

DPDG- D - 2 - 6NF - 0/2kg/cm² - PW

Note : • Due to continuous improvement, the specification may vary from time to time.