



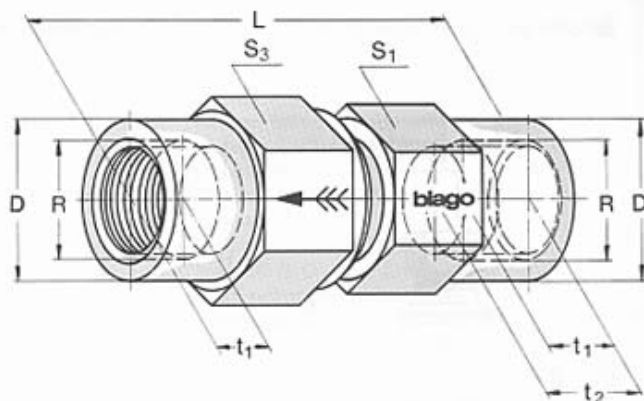
KB&T



Blagoflex-non return valves

both sides BSP female thread

- Characteristics:** Sealing by 90° cone with packing washer of synthetic material. Valve lift stop, therefore safe free outlet. Shock-absorbing and muffled opening. No reduction of cross section. Maximum flow rate not more than 4—5 m/sec. Sealing of male stud thread by Blago plastic sealing with types RHV and RHZ.
- Opening pressure:** Approx 1 bar (on request also 0,5—2 and 3 bar, are available). For tube O. D. 28, 30, 35 and 38 max. 2,5 bar. For pressures see appropriate tables.
- Material:** Steel drawn surface, cadmium-plated. Applications hydraulic oils, oil emulsion, compressed air (indicate when ordering).
- On request:** For applications with corrosive media. Made of Cu Zn 35 Ni (So Ms 59 material 2.0540) with internal parts and spring of 1.4541 or stainless steel. If water is used, indicate type of water or additives, if any.



ND	R	S ₁	S ₃	L	t ₁ , min.	t ₂	D	d	NW	NW	Blago-No.	kg %
400	¼	19	19	42,5	8	12	19	3,5	3	—*	RHDI R ¼	8,5
400	¼	19	19	51	12	16	19	3,5	4	—	RHDI R ¼	7,6
400	¾	24	27	60	12	17	24	7,5	8	¼	RHDI R ¾	8,4
400	½	32	36	72	15	20	32	11,5	12	½	RHDI R ½	34,4
400	¾	41	46	84	16,5	22	41	15	16	½	RHDI R ¾	48,5
250	1	46	50	95	19	25,5	46	19	20	¾	RHDI R 1	82,3
250	1¼	60	60	110	21,5	28	60	24	25	1	RHDI R 1¼	153,6
250	½	65	70	114	22	28,5	65	29	32	1½	RHDI R 1½	193,0

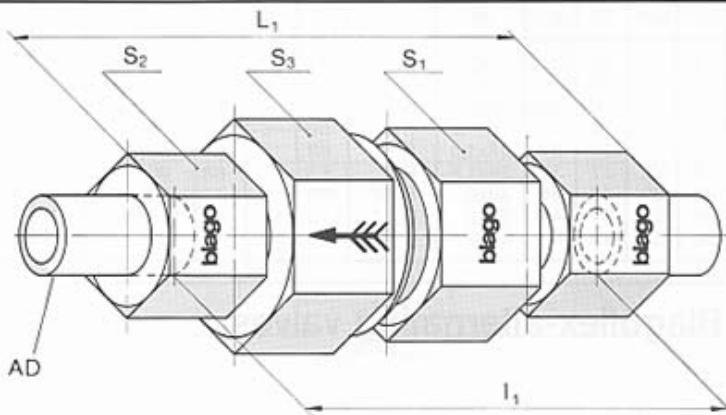
Blagoflex-non return valves

both sides Blago-tube connection

Standard execution:
Opening pressure 1 bar
—20 °C to 100 °C / 68 °F—212 °F

explanations
as above

Special Execution:
Opening pressure 0.2; 0.25; 0.5; 2; 3 bar
Pay attention to the flowing direction!



series	tube AD	nominal size		nominal width ins	S ₁	S ₂	S ₃	L ₁	I ₁	Blago-No.	kg %
L = light ND 100	6	4	—	3,5	17	14	17	58	29	RHDL- 6	6,5
	8	6	¼"	5,5	19	17	19	59	30	RHDL- 8	8,0
	10	8	¼"	7,5	22	19	24	69,5	40,5	RHDL-10	14,0
	12	10	¾"	9,5	27	22	30	72,5	43,5	RHDL-12	21,0
	15	12	½"	11,5	27	27	32	77,5	47,5	RHDL-15	25,0
	18	16	½"	14	36	32	36	83,5	51,5	RHDL-18	40,0
	22	20	¾"	18	41	36	46	93,5	61,5	RHDL-22	61,0
	28	25	1"	23	50	41	56	102,5	69,5	RHDL-28	88,0
	35	32	1¼"	29	60	50	60	117,5	74,5	RHDL-35	170,5
S = heavy ND 400	6	3	—	3,5	19	17	19	63,5	34,5	RHDS- 6	9,5
	8	4	—	3,5	19	19	19	63,5	34,5	RHDS- 8	11,0
	10	6	¼"	5,5	22	22	24	72,5	40,5	RHDS-10	18,0
	12	8	¼"	7,5	24	24	27	74,5	42,5	RHDS-12	21,5
	14	10	¾"	9,5	27	27	32	82,5	47,5	RHDS-14	30,0
	16	12	½"	11,5	32	30	36	86,5	50,5	RHDS-16	40,0
ND 250	20	16	½"	15	41	36	46	97,5	54,5	RHDS-20	69,0
	25	20	¾"	19	46	46	50	106,5	58,5	RHDS-25	103,5
	30	25	1"	24	60	50	60	122,5	69,5	RHDS-30	159,0
	38	32	1¼"	29	65	60	70	136,5	75,5	RHDS-38	227,0

Distributor



KB&T

KB& TRADERS

79/1, APS Complex, Iduvampalayam Road,
Periyandipalayam Tiruppur-641687, India
Mobile: 90477 77573, Tel : 0421 4955647
Email: sales@kbandtraders.com.
Web: www.kbandtraders.com