

**THREE VALVE MANIFOLD**

**3VM**

**Application :**

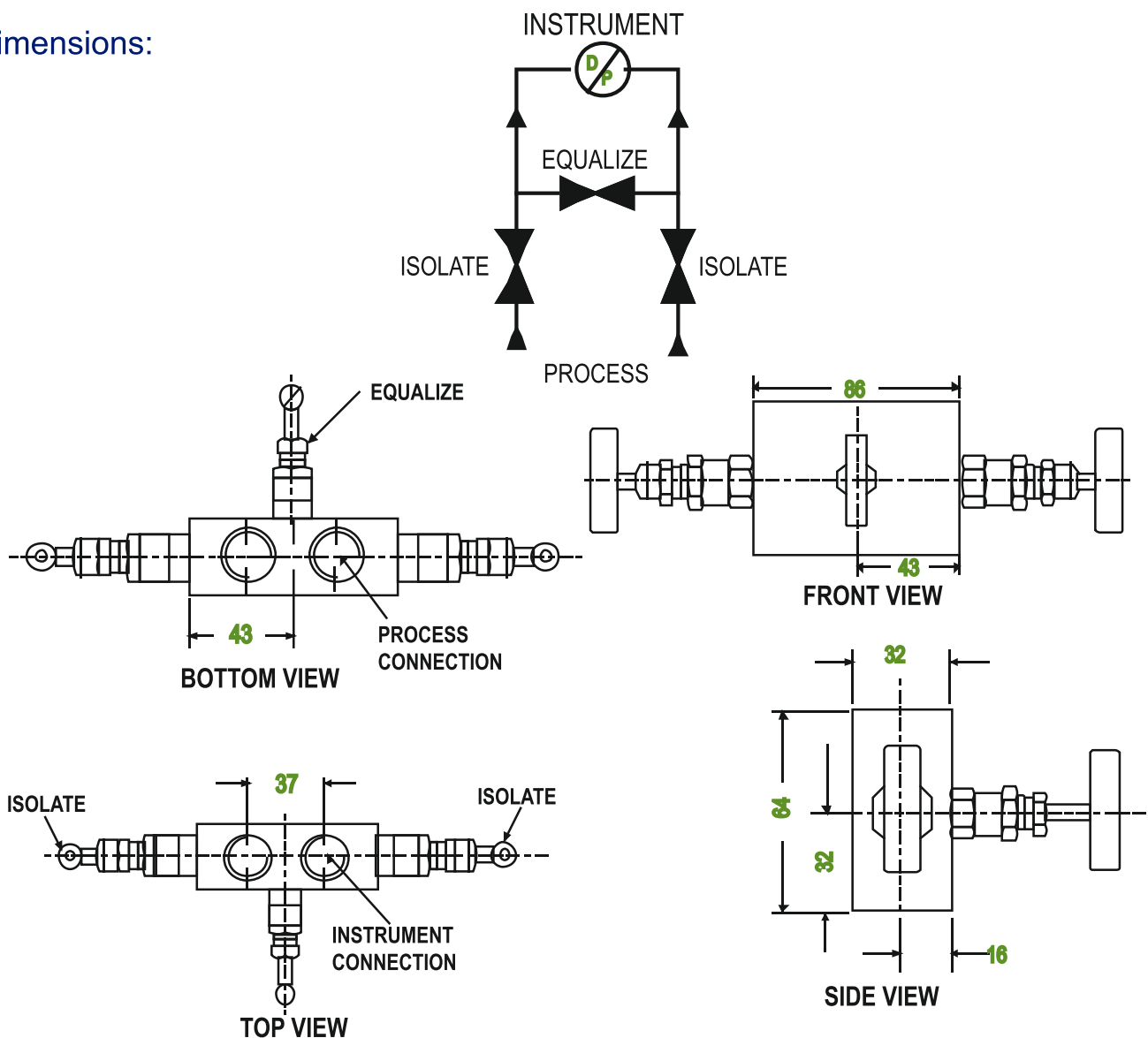
3 valve manifolds are designed for connecting system impulse lines and transmitters. These manifolds are rugged in construction to withstand pressures and temperatures. The manifolds are rated for pressures as high as 6000 PSI at 200°F or 4000 PSI at 500°F with PTFE Packing. For a Higher Temperatures Grafoil Packing is used

**Features :**

- ★ Threaded Vertical Port Inlet and Outlets
- ★ Isolation Bonnet on the sides, Equalizing Bonnet on the front.
- ★ Available in Exotic Materials



**Dimensions:**



All Dimensions are in mm, Drawings are not to scale

**STANDARD CONNECTION**

Product	Process Side	Instrument Side
3VM		1/2" NPT (F)